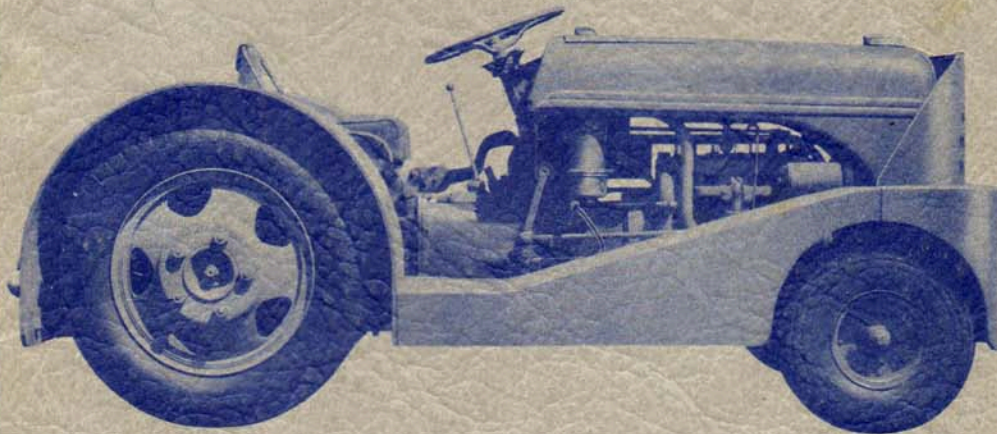


*Parts Dept*

# MOTO-TUG



## PARTS PRICE LISTS

JUNE 1943

HARRY FERGUSON, INC., DEARBORN, MICHIGAN

BNC Parts Source:

Ross Burgis  
3550 Cass Ave.  
Detroit, Mich.

TE 2-8911

698/  
#744

Harold Niffen - knows parts

# **MOTO-TUG**

## **PARTS PRICE LIST**

**EFFECTIVE JUNE, 1943**

Copyright 1943  
Harry Ferguson, Inc.  
Dearborn, Michigan  
All rights reserved

# INSTRUCTIONS FOR ORDERING PARTS

1. Always give tractor number when requested in foot notes. The number is located on left side of motor block.
2. Always order by part number and name.
3. Part orders should be separate and not included with letters pertaining to other subjects.
4. Specify how shipments are to be made—Freight, Parcel Post, or Express.
5. Order parts through your local distributor.

**Prices subject to change without notice**

**Any and all taxes levied will be added to prices in effect at the time of shipment.**

Copyright 1943

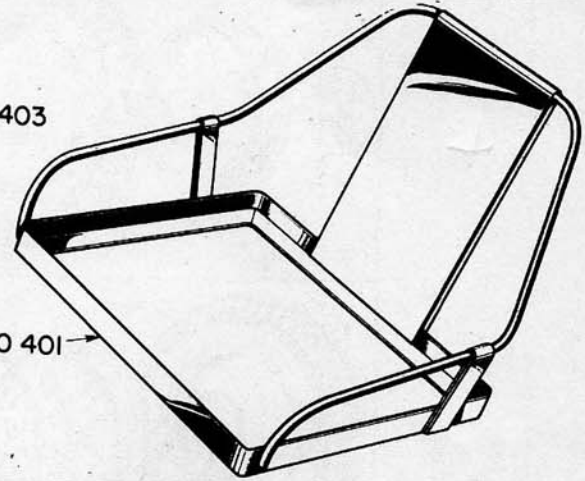
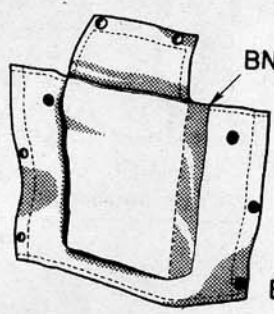
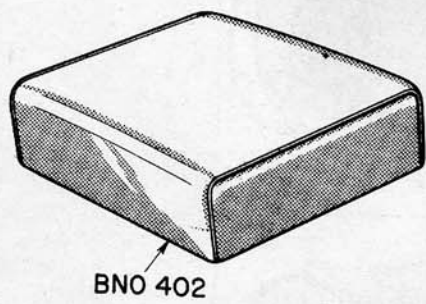
[www.ntractorclub.com](http://www.ntractorclub.com)

# INDEX

	PAGE
Air Cleaner .....	23-25
Ammeter .....	28
Axle - Front .....	7-8
Axle - Rear .....	10-12
Battery .....	28
Brake and Clutch Assembly .....	4-7
Carburetor .....	25-26
Distributor and Coil .....	29-30
Engine .....	13-16
Fender and Bumper .....	22-23
Frame and Coupler Assembly .....	19
Fuel System .....	23
Generator .....	26-28
Governor .....	32
Hood Assembly .....	31
Horn .....	30
Lighting Kit .....	33
Manifold .....	23
Muffler .....	12-13
Oil Filter .....	33
Radiator .....	19-21
Seat - Drivers .....	3
Standard Parts .....	34-36
Starter and Drive .....	28-29
Steering Gear .....	8-10
Throttle Control .....	25
Transmission .....	16-19
Water Pump .....	21
Wheels - Rims and Hubs .....	3-4
Wiring .....	30-31

# MOTO-TUG PARTS PRICE LIST

Part Number	Price	Part Name	BNO Models Used on & Units			
			25	25S	40	40S
<b>SEAT, DRIVERS</b>						
BNO-401	<b>\$8.00</b>	Frame Assembly - Seat .....	1	1	1	1
23378-S7-8		Bolt, Seat to Cover Plate .....	4	4	4	4
33797-S7-8		Nut (Hex)-Seat to Cover Plate .....	4	4	4	4
34806-S7-8		Lock Washer-Seat to Cover Plate .....	4	4	4	4
BNO-402	<b>5.75</b>	Cushion Assembly - Seat .....	1	1	1	1
BNO-403	<b>2.25</b>	Pad Assembly - Back Rest .....	1	1	1	1

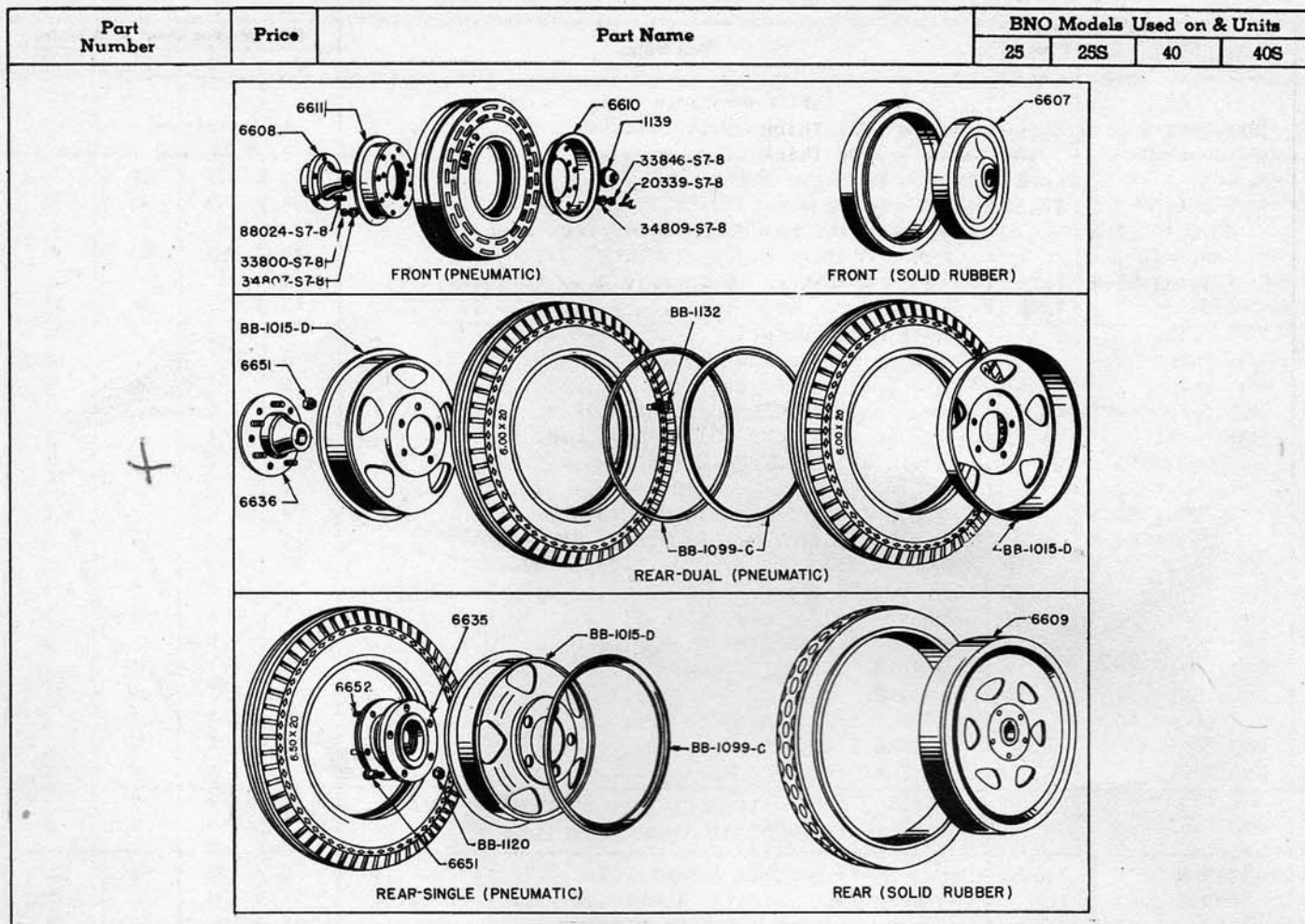


## WHEELS, RIMS & HUBS (See Illustration on Page 4)

BB-1015-D	8.50	Wheel & Rim Assembly - Rear (20 x 3.75 Rim) .....	2	0	4	0
BB-1099-C	1.50	Side Ring - For 20 x 3.75 Rim .....	2	0	4	0
BB-1120	.30	Nut (R.H. Thread) - Hub to Wheel .....	10	0	0	0
BB-1132	.40	Nut (R.H. Thread) - Hub to Wheel .....	0	0	10	0
BB-1134	.30	Nut (L.H. Thread) - Outer Wheel to Hub .....	0	0	10	0
9N-1139	.55	Cap - Front Hub .....	2	2	2	2
9N-1190-B	.70	Seal - Front Hub Dust .....	2	2	2	2
9N-1195	.04	Washer - Front Hub Bearing Retainer .....	2	2	2	2
B-1201	1.10	Cone & Roller Assembly - Front Wheel Inner Brg. .	2	2	2	2
B-1202	.45	Cup-Front Wheel Inner Brg. ....	2	2	2	2
B-1216	.70	Cone & Roller Assembly - Front Wheel Outer Brg. .	2	2	2	2
B-1217	.30	Cup-Front Wheel Outer Brg. ....	2	2	2	2
BNO-6607	*36.50	Front Wheel-Less tire Cast Iron(for Solid tire)..	0	2	0	2
BNO-6609	*103.00	Rear Wheel-Less tire Cast Iron(for Solid tire)...	0	2	0	2
BNO-6608	16.50	Front Hub Assembly .....	2	0	2	0
88024-S7-8		1/2 x 1.25 - 13 - 20 Stud - Wheel to Hub Assembly	10	0	10	0
33846-S7-8		1/2 - 20 Hex Nut - To Stud .....	10	0	10	0
34809-S7-8		1/2 Lock Washer - To Stud .....	10	0	10	0
BNO-6610	2.00	Disc - Front Wheel (Half, with Valve Hole) .....	2	0	2	0
BNO-6611	1.95	Disc - Front Wheel (Half, without Valve Hole) ...	2	0	2	0
20339-S7-8		3/8-24 x .68 Hex Head Bolt-In Wheel Discs .....	16	0	16	0
34807-S7-8		3/8 Lock Washer - On Hex Head Bolt .....	16	0	16	0
33800-S7-8		3/8-24 Hex Nut - On Hex Head Bolt .....	16	0	16	0
BNO-6635	*21.00	Single Rear Wheel Hub Assy.....	2	0	0	0
BNO-6636	*18.75	Dual Rear Wheel Hub Assy. ....	0	0	2	0
BNO-6651	.20	Stud-Hub(R.H. Thread - Hub to Wheel) .....	10	0	10	0
BNO-6652	.35	Drive Stud (Hub to Brake) .....	10	10	10	10

\*Not subject to regular discount

# MOTO-TUG PARTS PRICE LIST



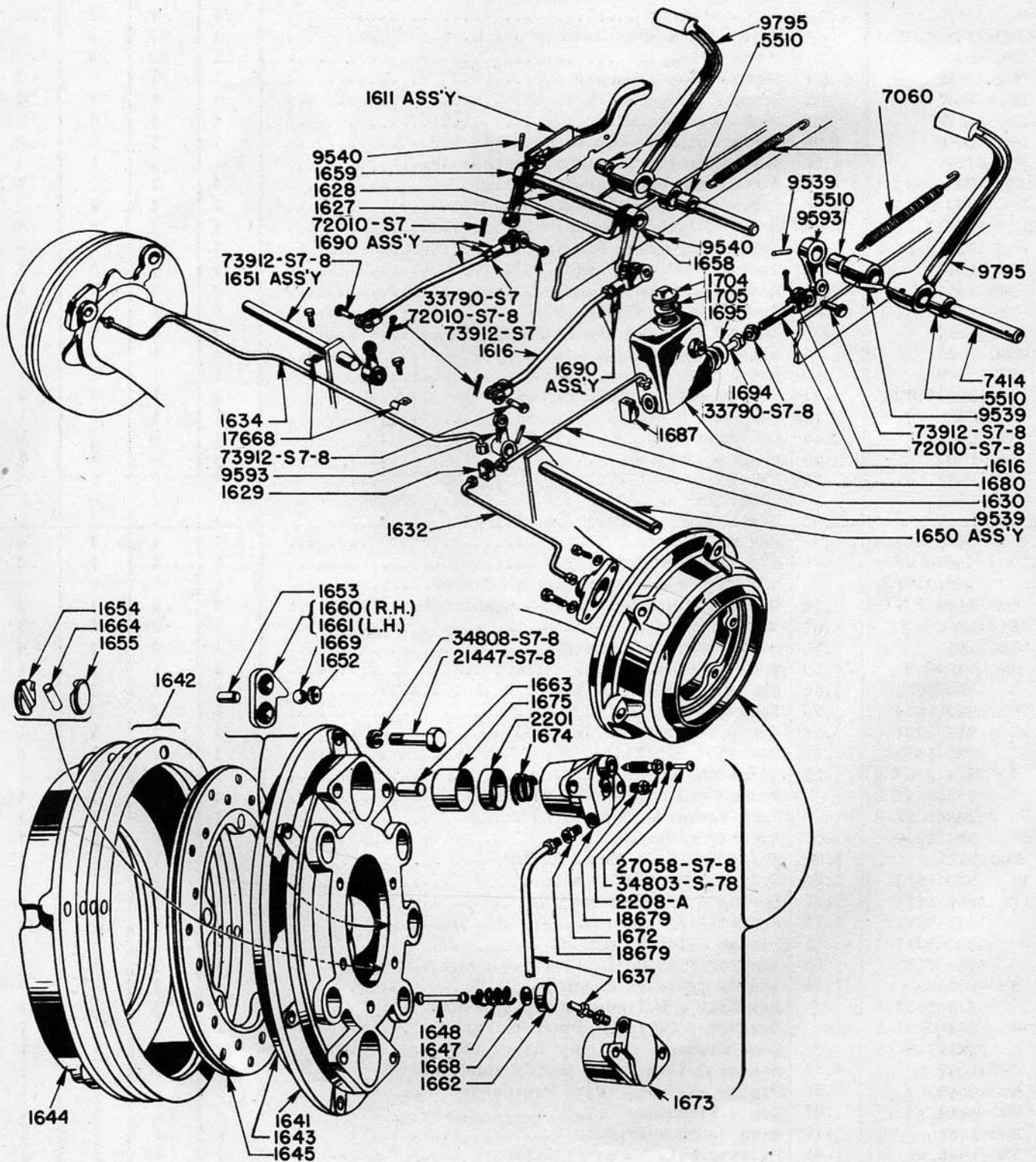
# MOTO-TUG PARTS PRICE LIST

Part Number	Price	Part Name	BNO Models Used on & Units			
			25	25S	40	40S
BRAKE AND CLUTCH ASSY. (Cont'd)						
BNO-1642-A	\$ .90	Shim - .031 Thick .....	As Required			
BNO-1642-C	.35	Shim - .006 Thick .....	As Required			
BNO-1643	6.65	Disc - Primary .....	2	2	2	2
BNO-1644	10.50	Disc - Secondary .....	2	2	2	2
21447-S7-8		7/16-14 x 1.5 Hex Head Bolt - Sec. Disc to Power Plate .....	20	20	20	20
34808-S7-8		7/16 Lock Washer - Secondary Disc to Power Plate .....	20	20	20	20
BNO-1645	6.40*	Middle Ring Assembly .....	2	2	2	2
BNO-1647	.35	Spring - Separating .....	8	8	8	8
BNO-1648	.05	Pin - Spring Retainer .....	8	8	8	8
BNO-1650	5.00	Brake Actuator Cam Shaft Assy. R.H. ....	1	1	1	1
BNO-1651	5.00	Brake Actuator Cam Shaft Assy. L.H. ....	1	1	1	1
BNO-9593	2.10	Arm-Clutch and Brake Actuators .....	2	2	2	2
BNO-9539	.10	3/8 x 2.0 Groove Pin .....	2	2	2	2
73912-S7-8		3/8 x 1-1/16 Clevis Pin-Rod to Arm .....	4	4	4	4
72010-S7-8		1/8 x 5/8 Cotter Pin-In Clevis Pin .....	4	4	4	4
BNO-1652	.20	Insert - 30° 3/4" dia. Ball Type .....	4	4	4	4
BNO-1653	.20	Pin - Cam Pilot .....	2	2	2	2
BNO-1654	.35	Insert - 1-1/4" dia. with nib .....	8	8	8	8
BNO-1655	.25	Insert - 1-1/4" dia. without nib .....	8	8	8	8
BNO-1678	.74	Arm-R. H. ....	1	1	1	1
BNO-1679	1.16	Arm-L. H. ....	1	1	1	1
BNO-9540	.05	7/32 x 1-1/2 Groove Pin .....	2	2	2	2
BNO-1660	2.10	Cam-Hand Brake, R. H. ....	1	1	1	1
BNO-1661	2.10	Cam-Hand Brake, L. H. ....	1	1	1	1
BNO-1662	.20	Cover - Spring .....	8	8	8	8
BNO-1663	.20	Plunger - 1/2" dia. ....	4	4	4	4
BNO-1664	.05	Power Roller - 3/8" dia. ....	8	8	8	8
BNO-1665	8.00	Brake Shaft Bracket Assembly .....	2	2	2	2
20453-S7-8		Hex Head Bolt .....	4	4	4	4
33846-S7-8		1/2 - 20 Hex Nut .....	4	4	4	4
34809-S7-8		1/2 Lock Washer (Bracket to Frame) .....	4	4	4	4
BNO-5510	.15	Bushing - Bracket Assy. ....	2	2	2	2
BNO-1668	.05	Washer - Spring Retainer .....	8	8	8	8
BNO-1669	.10	Ball - 1/2" dia. Steel .....	4	4	4	4
BNO-1670	4.50	Wheel Cylinder Assy. - Top .....	1	1	1	1
BNO-1672	2.80	Cylinder Housing - Top .....	1	1	1	1
BNO-1674	.20	Spring - Cylinder Return .....	1	1	1	1
91T-2201	.15	Cup - 1-1/2 dia. ....	1	1	1	1
BNO-1675	.55	Piston - 1-1/2 dia. ....	1	1	1	1
91A-2208-A	.15	Screw - Bleeder .....	1	1	1	1
27058-S7-8		Round Head Screw - Bleeder Vent .....	1	1	1	1
34803-S7-8		Lock Washer - Vent Screw .....	1	1	1	1
9N-18679	.06	Adapter Fitting .....	2	2	2	2
BNO-1671	4.00	Wheel Cylinder Assy. Bottom .....	1	1	1	1
BNO-1673	2.50	Cylinder Housing - Bottom .....	1	1	1	1
BNO-1674	.20	Spring - Cylinder Return .....	1	1	1	1
91T-2201	.15	Cup - 1-1/2" dia. ....	1	1	1	1
BNO-1675	.55	Piston - 1-1/2" dia. ....	1	1	1	1
9N-18679	.06	Adapter Fitting .....	1	1	1	1
BNO-1680	7.25	Master Cylinder Assembly .....	1	1	1	1
21606-S7-8		Hex Bolt - Cylinder Assy. to Frame .....	1	1	1	1
33800-S7-8		Hex Nut - Cylinder Assy. to Frame .....	1	1	1	1
34807-S7-8		Lock Washer - Cylinder Assy. to Frame .....	1	1	1	1
BNO-1681	4.50	Master Cylinder and Supply Tank Housing .....	1	1	1	1
BNO-1683	.85	Piston Assembly (With Protector) .....	1	1	1	1
BNO-1684	.35	Cup - Secondary .....	1	1	1	1
BNO-1685	.10	Ring - Secondary Cup .....	1	1	1	1
BNO-1686	.45	Fitting Bolt - Master Cylinder .....	1	1	1	1
BNO-1687	.45	Fitting - Tube Connection .....	1	1	1	1
BNO-1688	.05	Gasket - Inlet Connection, Inner .....	1	1	1	1

\*Not subject to regular discount



# MOTO-TUG PARTS PRICE LIST

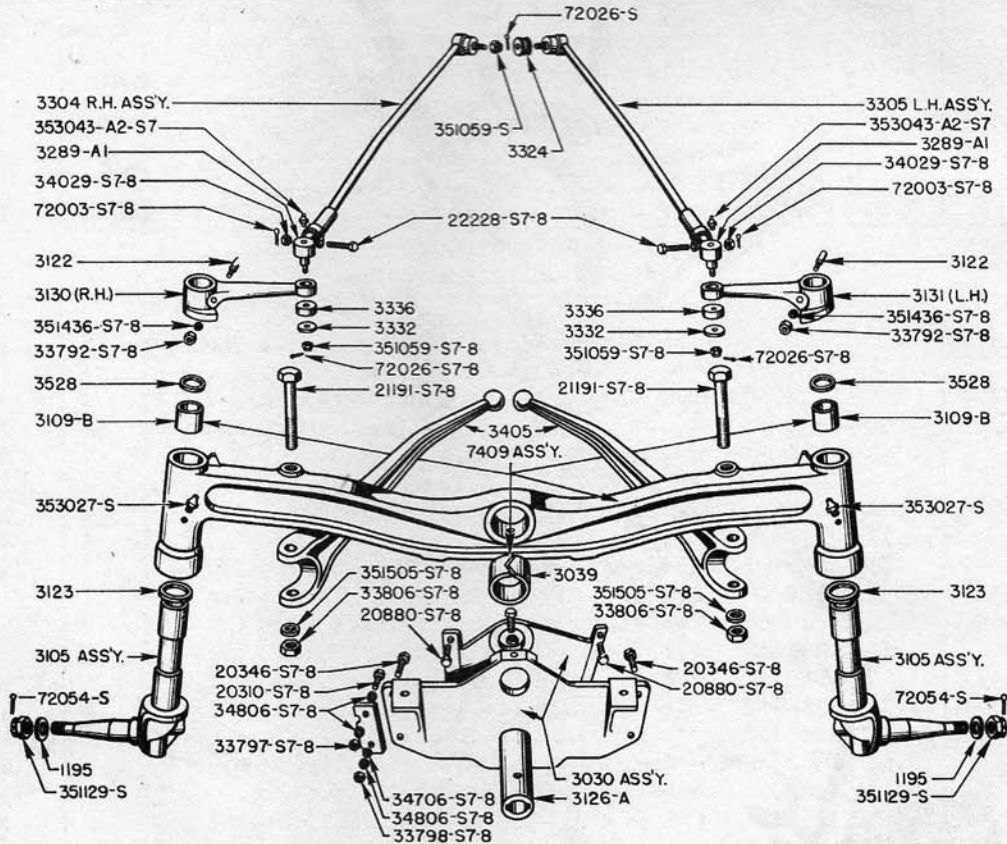


# MOTO-TUG PARTS PRICE LIST

Part Number	Price	Part Name	BNO Models Used on & Units			
			25	25S	40	40S
<b>BRAKE AND CLUTCH ASSY. (Cont'd)</b>						
BNO-1689	\$ .05	Gasket - Inlet Connection, Outer .....	1	1	1	1
BNO-1690	1.70	Rod - Hand Brake .....	2	2	2	2
97003-S		3/8 Std. Non-Adjustable Clevis (Yoke) .....	2	2	2	2
97013-S		3/8 Std. Adjustable Clevis (Yoke) .....	2	2	2	2
33800-S		3/8-24 Hex Nut .....	2	2	2	2
BNO-1691	1.00	Hand Brake Rod & Yoke Assy. ....	2	2	2	2
BNO-1693	.35	Cup - Primary .....	1	1	1	1
BNO-1694	.45	Piston Push Rod Assembly .....	1	1	1	1
BNO-1695	.50	Boot .....	1	1	1	1
BNO-1696	.10	Strap - Boot (Large) .....	1	1	1	1
BNO-1697	.10	Strap - Boot (Small) .....	1	1	1	1
BNO-1698	.10	Lockwire .....	1	1	1	1
BNO-1699	.10	Plate - Piston Return Stop .....	1	1	1	1
BNO-1700	.35	Piston Return Spring & Retainer Assy. ....	1	1	1	1
BNO-1701	.70	Valve Assembly .....	1	1	1	1
BNO-1702	.15	Gasket - Master Cylinder Head .....	1	1	1	1
BNO-1703	.90	Head - Master Cylinder .....	1	1	1	1
BNO-1704	.40	Filler Cap Assy. ....	1	1	1	1
BNO-1705	.10	Gasket - Filler Cap .....	1	1	1	1
BNO-7060	.10	Spring - Pedal Return .....	2	2	2	2
BNO-7414	1.00	Shaft - Pedal Pivot .....	2	2	2	2
BNO-9539	.10	3/8 x 2 Groove Pin-Arm to Shaft-Pedal to Shaft .	4	4	4	4
BNO-9593	2.10	Arm - Clutch and Brake .....	2	2	2	2
BNO-9792	1.35	Rod and Yoke Assy. ....	1	1	1	1
97013-S7-8		3/8 Adjustable Clevis .....	1	1	1	1
33800-S7-8		3/8 - 24 Hex Nut .....	1	1	1	1
73912-S7-8		3/8 Clevis Pin .....	2	2	2	2
BNO-9795	2.45	Pedal-Brake & Clutch.....	2	2	2	2
<b>FRONT AXLE</b>						
(See Illustration on Page 8)						
9NBN-3030	16.00	Support .....	1	1	1	1
355669-S7-8		7/16 Hex Head Bolt - Support to Pin .....	1	1	1	1
33790-S7-8		7/16 Check Nut - Support to Pin .....	1	1	1	1
20880-S7-8		7/16 - 20 Hex Head Bolt - Support to Oil Pan ...	6	6	6	6
9N-3039	.20	Bushing .....	1	1	1	1
BNO-3105	10.50	Front Spindle Assembly .....	2	2	2	2
351129-S		3/4 - 16 Castle Nut - On Spindle .....	2	2	2	2
72054-S		5/32 x 1-1/4 Cotter Pin - On Spindle Nut .....	2	2	2	2
9N-3109-B	.25	Bushing .....	4	4	4	4
9N-3122	.15	Pin - Spindle Bolt Locking .....	2	2	2	2
33792-S7-8		7/16 - 20 Hex Nut - Front Axle Spindle Arm Pin .	2	2	2	2
351436-S7-8		7/16 Lock Washer - Front Axle Spindle Arm Pin ..	2	2	2	2
9N-3123	.50	Bearing - Front Axle Spindle .....	2	2	2	2
9N-3126-A	1.50	Pin - Front Axle .....	1	1	1	1
9N-3130	4.25	Arm - Spindle R.H. ....	1	1	1	1
9N-3131	4.25	Arm - Spindle L.H. ....	1	1	1	1
9N-3528	.02	Dust Seal - Spindle Arms .....	2	2	2	2
11A-3289-A1	1.00	Spindle Connecting Rod Assembly .....	2	2	2	2
72026-S7-8		1/8 x 7/8 Cotter Pin - Spindle Arm Ball Stud ...	2	2	2	2
353043-A1-S7-8		Lubricator Fitting .....	2	2	2	2
351059-S7-8		1/2 - 20 Castle Nut - Spindle Arm Ball Stud ...	2	2	2	2
78-3336	.01	Retainer - Rod Spindle Connection .....	2	2	2	2
78-3332-A1-A2	.02	Cover - Rod Spindle Connection .....	2	2	2	2
BNO-3304	4.75	Link - Steering Drag R.H. Assy. ....	1	1	1	1
9N-3324	.30	Dust Cover .....	1	1	1	1
22228-S7-8		5/16 - 24 x 1.25 Hex Head Bolt - Drag Link Clamp	1	1	1	1
34029-S7-8		5/16 x 24 Castle Nut - Drag Link Clamp .....	1	1	1	1
72003-S7-8		1/16 x 1/2 Cotter Pin - Drag Link Clamp .....	1	1	1	1
351059-S7-8		1/2 - 20 Castle Nut - Sector Arm Ball Stud ....	1	1	1	1
72026-S7-8		1/8 x 7/8 Cotter Pin - Sector Arm Ball Stud ....	1	1	1	1
9N-3305	4.00	Link - Steering Drag L.H. Assy. ....	1	1	1	1
9N-3324	.30	Dust Cover .....	1	1	1	1

# MOTO-TUG PARTS PRICE LIST

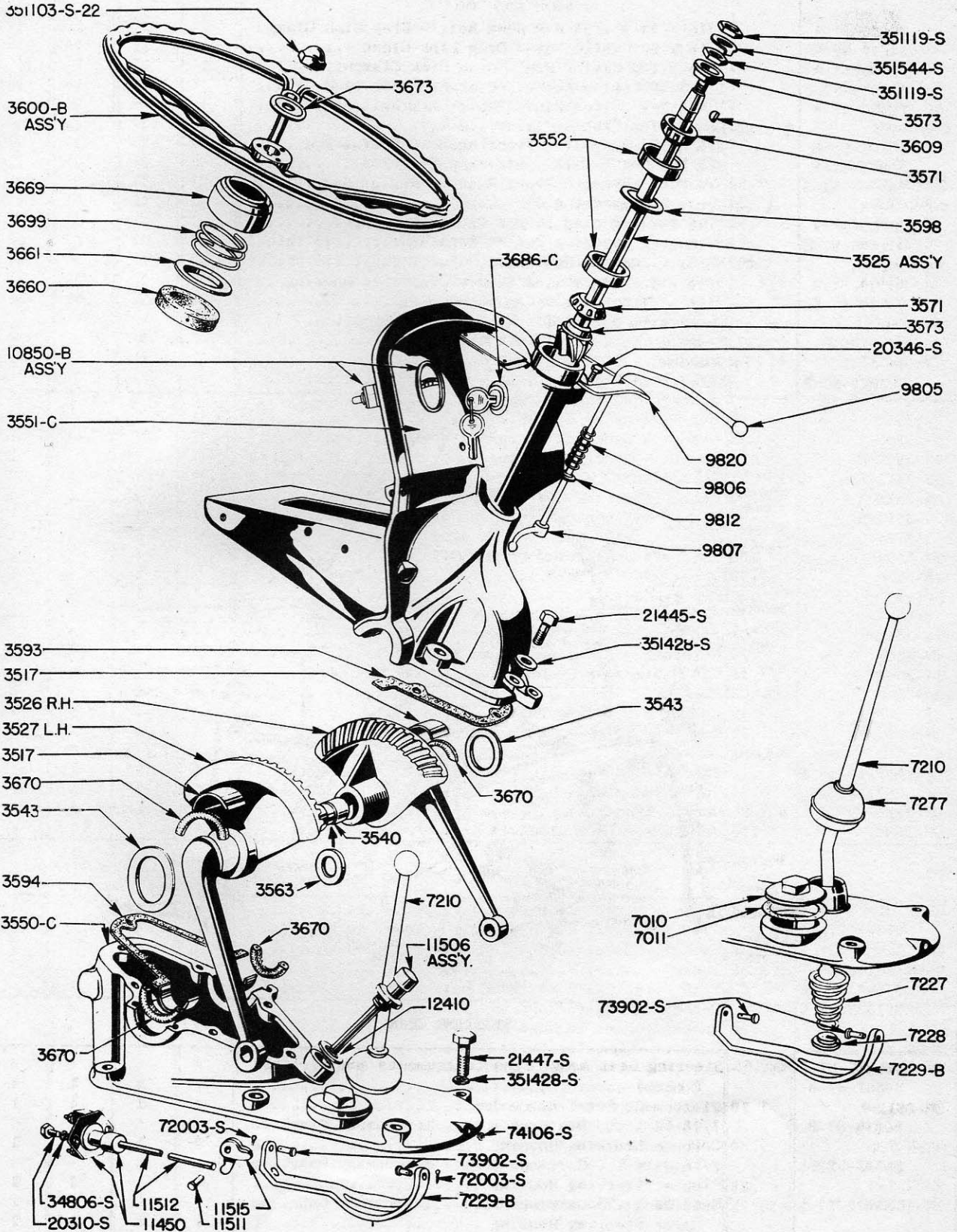
Part Number	Price	Part Name	BNO Models Used on & Units			
			25	25S	40	40S
<b>FRONT AXLE (Cont'd)</b>						
22228-S7-8		5/16 - 24 x 1.25 Hex Head Bolt - Drag Link Clamp.	1	1	1	1
34029-S7-8		5/16 x 24 Castle Nut - Drag Link Clamp .....	1	1	1	1
72003-S7-8		1/16 x 1/2 Cotter Pin - Drag Link Clamp .....	1	1	1	1
351059-S7-8		1/2 - 20 Castle Nut - Sector Arm Ball Stud .....	1	1	1	1
72026-S7-8		1/8 x 7/8 Cotter Pin - Sector Arm Ball Stud .....	1	1	1	1
BNO-3405	\$ 8.50	Rod - Front Radius .....	2	2	2	2
21191-S7-8		5/8 Hex Head Bolt - Front Axle to Radius Rod ....	2	2	2	2
33806-S7-8		5/8 Hex Nut - Front Axle to Radius Rod .....	2	2	2	2
351505-S7-8		5/8 Flat Washer - Front Axle to Radius Rod .....	2	2	2	2
9NBN-3440	1.25	Cap - Radius Rod Ball .....	2	2	2	2
88523-S7-8		7/16-20-14 x 3.12 Stud - Cap to Housing .....	4	4	4	4
351436-S7-8		7/16 Lock Washer - Cap to Housing .....	6	6	6	6
9N-3442	1.00	Spacer - Radius Rod Ball .....	2	2	2	2
88398-S7-8		7/16 - 20 - 14 x 1.68 Stud - Spacer to Housing ..	2	2	2	2
33792-S7-8		7/16 - 20 Hex Nut - Cap to Housing .....	6	6	6	6
BNO-7409	*48.50	Front Axle Assembly .....	1	1	1	1
9N-3109-B	.25	Bushing .....	4	4	4	4
9N-3039	.20	Bushing .....	1	1	1	1
353027-S7-8		Lubricator Fitting .....	2	2	2	2



## STEERING GEAR

9N-3501-D	*51.65	Steering Gear Assy. Less Instruments and Throttle Control .....	1	1	1	1
9N-3512-A	1.10	Instrument Panel Assembly .....	1	1	1	1
20318-S7-8		5/16-18 x .50 Hex Head Bolt - Instrument Panel to Upper Steering Housing .....	2	2	2	2
350483-S7-8		5/16-24 x 1.0 Carriage Bolt - Instrument Panel to Upper Steering Housing .....	2	2	2	2
355471-S7-8		5/16-24 x .75 Carriage Bolt - Instrument Panel to Upper Steering Housing .....	2	2	2	2
*Not subject to regular discount						

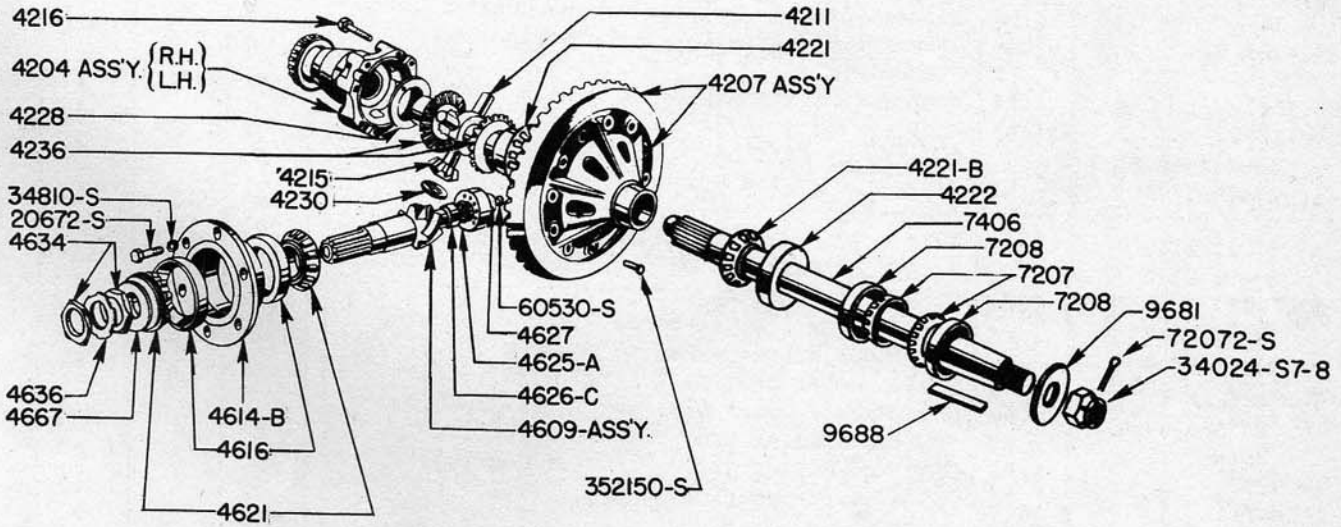
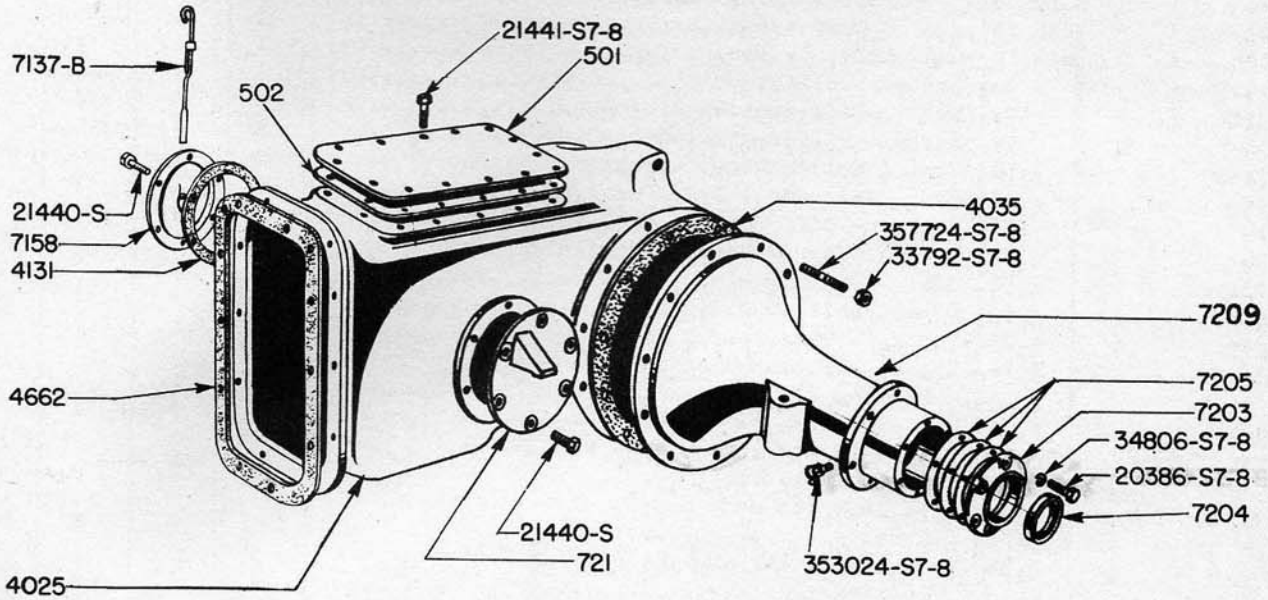
# MOTO-TUG PARTS PRICE LIST



# MOTO-TUG PARTS PRICE LIST

Part Number	Price	Part Name	BNO Models Used on & Units			
			25	25S	40	40S
STEERING GEAR (Cont'd)						
33798-S		5/16-24 Hex Nut - On Bolts - Instrument Panel to Upper Steering Housing .....	4	4	4	4
34806-S7-8		5/16 Lock Washer - On Bolts - Instrument Panel and Battery Bracket to Upper Steering Housing.	8	8	8	8
9N-3517	\$ .36	Bearing - Steering Sector .....	4	4	4	4
9N-3525	8.35	Shaft and Pinion - Steering Gear .....	1	1	1	1
351119-S		13/16-28 Hex Nut - Steering Shaft .....	2	2	2	2
351544-S		13/16 Lock Washer - Steering Shaft .....	1	1	1	1
9N-3526	12.50	Sector - Steering Gear R. H. ....	1	1	1	1
9N-3527	12.50	Sector - Steering Gear L. H. ....	1	1	1	1
9N-3540	.80	Shaft - Steering Sector .....	1	1	1	1
9N-3543-A	.40	Washer - Steering Sector Outer Thrust(.123 thick)	2	2	2	2
9N-3543-B	.40	Washer - Steering Sector Outer Thrust(.126 thick)	2	2	2	2
9N-3550-C	*15.50	Housing - Steering Gear Lower .....	1	1	1	1
74106-S		Plug - Steering Gear Housing .....	1	1	1	1
21447-S7-8		7/16 - 14 x 1.50 Hex Bolt - Lower Steering Housing to Transmission Housing .....	6	6	6	6
9N-3551-D	*13.60	Housing - Steering Gear Upper .....	1	1	1	1
21445-S7-8		7/16-14 x 1.62 Hex Bolt - Upper Housing to Lower Housing .....	6	6	6	6
B-3552	.25	Cup - Steering Gear Wrm. Bearing Lower .....	2	2	2	2
9N-3563-A	.35	Washer - Steering Sector Inner Thrust(.256 thick)	1	1	1	1
9N-3563-B	.35	Washer - Steering Sector Inner Thrust(.251 thick)	1	1	1	1
68-3571-A	.25	Roller Assy. - Steering Gear .....	2	2	2	2
9N-3573	.50	Cone - Steering Gear Bearing .....	2	2	2	2
9N-3593-B	.01	Gasket - Steering Gear Housing, Rear .....	1	1	1	1
9N-3594	.01	Gasket - Steering Gear Housing - Front .....	1	1	1	1
9N-3598	.04	Retainer - Steering Column Oil .....	1	1	1	1
2N-3600	4.40	Wheel Assy. - Steering .....	1	1	1	1
B-3609	.02	Key - Woodruff .....	1	1	1	1
351103-S22	.25	Special Acorn Nut to Shaft .....	1	1	1	1
9N-3660	.06	Seal - Steering Column Dust .....	1	1	1	1
9N-3661	.10	Retainer - Steering Column Seal .....	1	1	1	1
9N-3669	.15	Cap - Steering Column .....	1	1	1	1
9N-3670	.06	Packing - Steering Sector .....	4	4	4	4
2N-3673	.28	Washer - Steering Wheel .....	1	1	1	1
9N-3685-B	.50	Key - Ignition Lock (Universal) #1053 .....	2	2	2	2
	pr					
351118-S7-8		Special Hex Nut - Ignition Lock .....	1	1	1	1
26456-S7-8		No. 6 Round Head Screw - Ignition Lock .....	2	2	2	2
9N-3686-C	.85	Lock Cylinder Assy. - Ignition .....	1	1	1	1
9N-3699	.15	Spring - Steering Column Dust Seal .....	1	1	1	1
REAR AXLE						
BNO-501	7.80	Cover - Center Housing .....	1	1	1	1
21441-S7-8		7/16-14 x 1.12 Hex Head Bolt - Cover to Housing.	14	14	14	14
9N-502	.30	Gasket - Cover to Housing .....	1	1	1	1
9NBN-605-A	3.00	Base .....	1	1	1	1
355693-S7-8		7/16 - 14 x 1.38 Hex Head Bolt - Base to Housing	9	9	9	9
351428-S7-8		Washer - Base to Housing .....	9	9	9	9
9N-611	.30	Gasket - Base to Housing .....	1	1	1	1
9NBN-718	5.50	Support - Counter Shaft Bearing .....	1	1	1	1
355545-S7-8		3/8 - 16 x 1-1/4 Hex Bolt - Support .....	4	4	4	4
34807-S7-8		3/8 Lock Washer - Support .....	4	4	4	4
9N-721	1.90	Plate - Center Housing Cover, L. Side .....	1	1	1	1
21440-S7-8		7/16 - 14 x .75 Hex Bolt .....	6	6	6	6
9NBN-733	2.30	Cover - Center Housing - Rear .....	1	1	1	1
21443-S7-8		7/16 - 14 x .94 Hex Head Bolt .....	4	4	4	4
9NBN-758	.85	Plug .....	1	1	1	1
2N-4028	*50.75	Rear Center Housing .....	1	1	1	1
*Not subject to regular discount						

# MOTO-TUG PARTS PRICE LIST

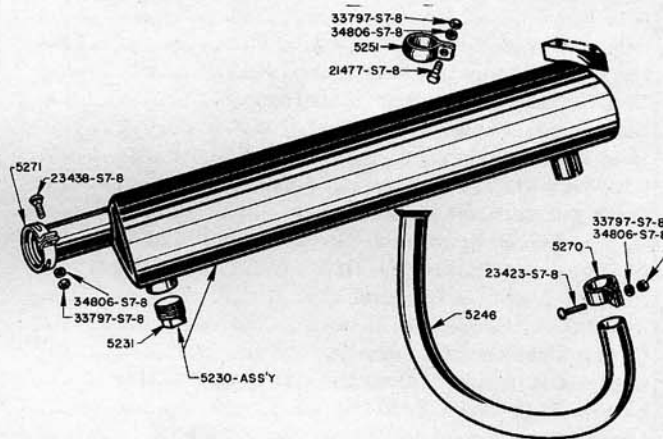


# MOTO-TUG PARTS PRICE LIST

Part Number	Price	Part Name	BNO Models Used on & Units			
			25	25S	40	40S
<b>REAR AXLE (Cont'd)</b>						
357724-S7-8		7/16 -14 - 20 x 1.86 Stud - Axle Housings to Center Housing .....	22	22	22	22
33792-S7-8		7/16 - 20 Hex Nut - On Studs - Axle Housings to Center Housing .....	22	22	22	22
9N-4035	\$ .20	Gasket - Axle to Center Housing .....	2	2	2	2
9N-4129	.04	Gasket - Center Housing Plate .....	1	1	1	1
9N-4130	.06	Gasket - Axle Housing (Outer) .....	2	2	2	2
9N-4131	.06	Gasket - Side Plate to Housing .....	2	2	2	2
9N-4150	.35	Trough Assy. - Differential Bearing Oil ....	1	1	1	1
9N-4195	2.50	Spacer - Driving Gear Thrust Block .....	1	1	1	1
9N-4201	*44.00	Differential Assy. - Rear Axle .....	1	1	1	1
9N-4204	13.00	Case Assy. - Differential Gear .....	1	1	1	1
9N-4207	*26.75	Gear & Case Assy. (Service Only) .....	1	1	1	1
79-4210	*18.75	Gear Only, Driving .....	1	1	1	1
9N-4211	3.20	Spider - Differential .....	1	1	1	1
91T-4215	.90	Gear - Differential Pinion .....	4	4	4	4
BB-4216-C	.20	Screw - Differential Gear Case .....	8	8	8	8
BB-4221-B	2.65	Cone & Roller Assy. - Rear Wheel (Inner) ...	2	2	2	2
BB-4222	1.45	Cup - Axle Shaft Inner Bearing .....	2	2	2	2
79-4228	.20	Washer - Differential Gear Thrust .....	2	2	2	2
79-4230	.04	Washer (Thrust) - Differential Pinion .....	4	4	4	4
91T-4236	2.55	Gear - Differential .....	2	2	2	2
9N-4605	5.30	Drive Shaft Assy. ....	1	1	1	1
79-4609	8.25	Pinion - Gear Assy. ....	1	1	1	1
BB-4614-B	4.70	Sleeve, Pin and Bearing Cups Assy. Driving Pinion Bearing .....	1	1	1	1
BB-4616-B	1.35	Cup - Driving Pinion Bearing .....	2	2	2	2
20672-S7-8		9/16 - 12 x 1.25 Hex Head Bolt - Bearing Retainer to Housing .....	6	6	6	6
34810-S7-8		9/16 Lock Washer - Bearing Retainer to Housing .....	6	6	6	6
BB-4621-B	2.65	Cone and Roller Assy. - Driving Pinion Bearing .....	2	2	2	2
BB-4625-B1	1.30	Bearing Assy. - Driving Pinion Pilot .....	1	1	1	1
B-4634	.20	Nut (Lock) - Driving Pinion Bearing .....	2	2	2	2
B-4636-A	.04	Washer (Lock) - Driving Pinion Bearing .....	1	1	1	1
9N-4662	.20	Gasket - Differential to Transmission Housing .....	1	1	1	1
BB-4667	.15	Washer (Thrust) - Driving Pinion Bearing ...	1	1	1	1
BNO-7209	*25.00	Housing - Rear Axle .....	2	2	2	2
353024-A1-S7-8		Lubricator Fitting .....	2	2	2	2
20880-S7-8		7/16 - 20 x 1.38 Hex Head Bolt - Brake to Housing .....	12	12	12	12
33792-S7-8		7/16 - 20 Hex Nut - On Brake to Housing ....	12	12	12	12
34808-S7-8		7/16 Lock Washer - On Hex Head Bolt .....	12	12	12	12
BNO-7203	1.90	Cap - Axle Housing .....	2	2	2	2
20386-S7-8		5/16 - 18 x 1.0 Cap Screw - Cap to Housing..	12	12	12	12
34806-S7-8		5/16 Lock Washer - Cap to Housing .....	12	12	12	12
BNO-7204	1.00	Seal - Outer Bearing .....	2	2	2	2
BNO-7205	.80	Shim Pack - Outer Bearing - Axle Cap-(10 Shims Ranging from .003 to .015) .....	2	2	2	2
BNO-7207	1.45	Cone and Roller Assy. - (Outer Bearing) ....	4	4	4	4
BNO-7208	.70	Cup - (Outer Bearing) .....	4	4	4	4
BNO-7406	30.50	Shaft - Rear Axle .....	2	2	2	2
BNO-9681	.13	Washer - Axle Hub .....	2	2	2	2
BNO-9688	1.25	Key - Axle Shaft .....	2	2	2	2
<b>MUFFLER</b>						
BNO-5230	14.20	Muffler Assembly - Spark Arrester Type .....	1	1	1	1
25305-S7-8		Flat Head Screw-Fender to Pad to Muffler ...	2	2	2	2
33769-S7-8		1/4 - 28 Hex Nut .....	2	2	2	2
34705-S7-8		1/4 Flat Washer .....	2	2	2	2
34805-S7-8		1/4 Lock Washer .....	2	2	2	2
BNO-5231		Plug - Muffler .....	1	1	1	1
*Not subject to regular discount						

# MOTO-TUG PARTS PRICE LIST

Part Number	Price	Part Name	BNO Models Used on & Units			
			25	25S	40	40S
MUFFLER (Cont'd)						
BNO-5246	\$ 2.40	Pipe - Muffler Inlet .....	1	1	1	1
23423-S7-8		Carriage Bolt-Muffler Inlet Pipe Clamp .....	1	1	1	1
33797-S7-8		5/16 Hex Nut-Muffler Inlet Pipe Clamp .....	1	1	1	1
34806-S7-8		5/16 Lock Washer-Muffler Inlet Pipe Clamp ...	1	1	1	1
BNO-5250	2.50	Pad - Asbestos Insulating .....	1	1	1	1
9N-5251		.50	Clamp - Pipe to Manifold .....	2	2	2
21477-S7-8		Hex Head Bolt - Manifold Clamp .....	2	2	2	2
33797-S7-8		5/16 Hex Nut - Manifold Clamp .....	2	2	2	2
34806-S7-8		5/16 Lock Washer - Manifold Clamp .....	2	2	2	2
BNO-5270		.20	Clamp-Inlet Pipe to Muffler .....	1	1	1
23423-S7-8	Carriage Bolt-Muffler Support Clamp .....		1	1	1	1
33797-S7-8	5/16 Hex Nut - Muffler Support Clamp .....		1	1	1	1
34806-S7-8	5/16 Lock Washer-Muffler Support Clamp .....		1	1	1	1
BNO-5271	.20	Clamp - Tail Pipe Support .....	1	1	1	1
23438-S7-8		Carriage Bolt-Muffler Support Clamp .....	1	1	1	1
33797-S7-8		5/16 Hex Nut - Muffler Support Clamp .....	1	1	1	1
34806-S7-8		5/16 Lock Washer - Muffler Support Clamp ....	1	1	1	1



## ENGINE (See Illustration on Page 15)

9N-6010	\$*53.50	Cylinder Block Assy. with Sleeves and Bearing Caps .....	1	1	1	1
9N-6011	*125.00	Cylinder Block Assy. with Pistons, Connecting Rods & Valves .....	1	1	1	1
88403-S		Stud-Cylinder Block to Manifold .....	4	4	4	4
74120-S		Plug(Expansion)-Cylinder Block Rear .....	1	1	1	1
88371-S7-8		Stud-Water Pump Housing to Cylinder Block ...	3	3	3	3
9N-6017		1.60	Cover - Timing Gear Side .....	1	1	1
9N-6018	.01	Gasket - Timing Gear Side Cover .....	1	1	1	1
9N-6019-B	3.50	Cover - Cylinder Front .....	1	1	1	1
20388-S7-8		3/8-16 x 1 Hex Bolt - Front Cover to Cylinder Block .....	9	9	9	9
34807-S7-8		3/8 Lock Washer - On Hex Head Bolt .....	9	9	9	9
9N-6020	.02	Gasket - Cylinder Front Cover .....	1	1	1	1
9N-6022	.04	Gasket - Governor to Cylinder Timing Gear Cover Side .....	1	1	1	1
9N-6043	.03	Plug (Front)-Engine Block Oil Pipe .....	1	1	1	1
9N-6050-B	6.00	Cylinder Head .....	1	1	1	1
9N-6051	.65	Gasket - Cylinder Head .....	1	1	1	1
99A-6055	1.65	Sleeve - Cylinder Block .....	4	4	4	4
40-6057-B	.20	Insert, Intake Valve .....	4	4	4	4
52-6057-B	.20	Insert, Exhaust Valve .....	4	4	4	4
9N-6066	.03	Stud (Short) - Cylinder Head .....	15	15	15	15
351025-S7-8		7/16 - 20 Hex Nut - On Stud .....	15	15	15	15
18-6066	.04	Stud (Medium) - Cylinder Head .....	1	1	1	1
	(3.00C)					
*Not subject to regular discount						

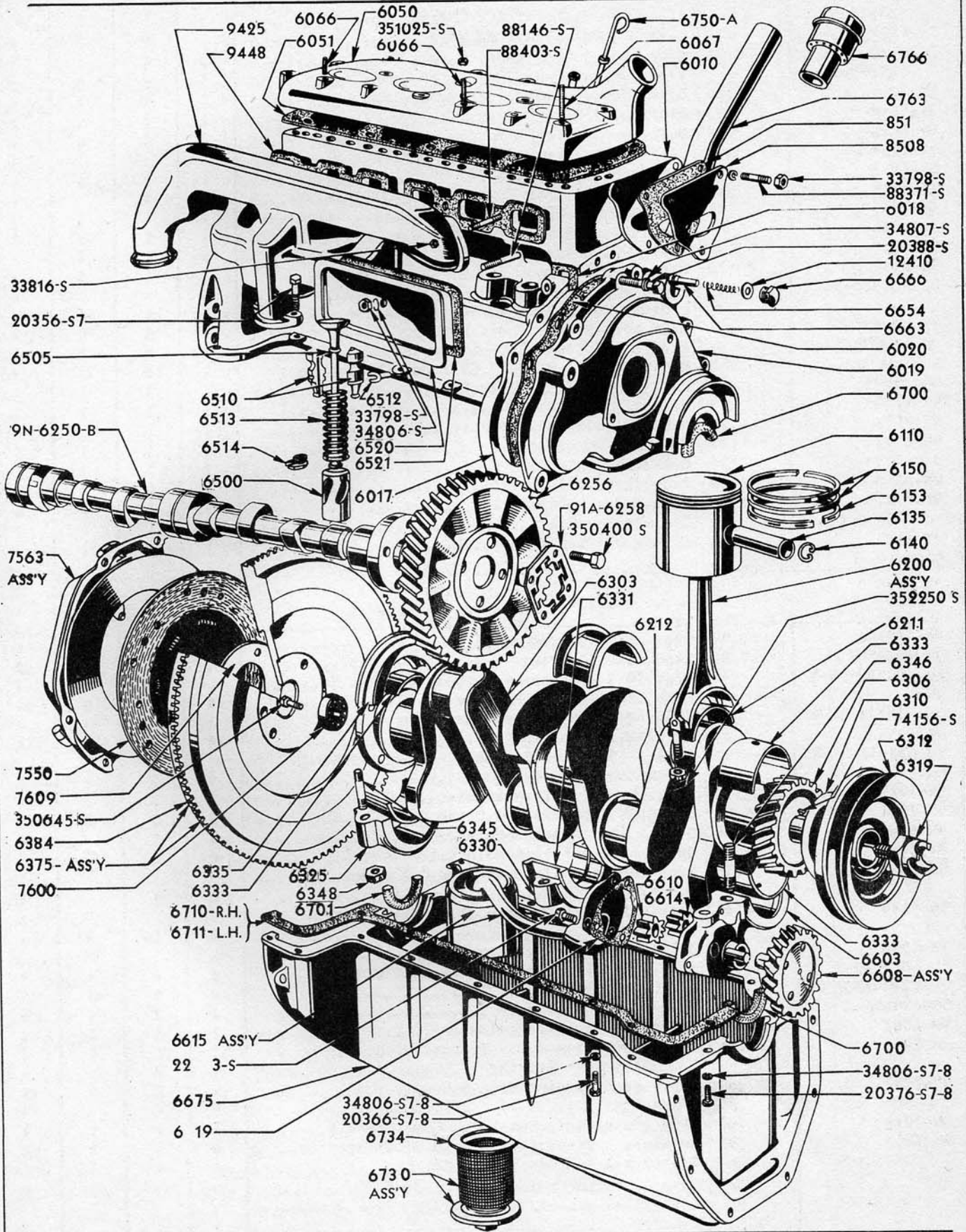


# MOTO-TUG PARTS PRICE LIST

Part Number	Price	Part Name	BNO Models Used on & Units			
			25	25S	40	40S
ENGINE (Cont'd)						
351025-S7-8		7/16 - 20 Hex Nut - On Stud .....	1	1	1	1
48-6067	\$ .04	Stud (Long) - Cylinder Head .....	2	2	2	2
351025-S7-8		7/16 - 20 Hex Nut - On Stud .....	2	2	2	2
29A-6110-A	1.85	Piston (Standard) .....	4	4	4	4
99A-6135-A	.30	Pin - Piston .....	4	4	4	4
78-6140	.01	Retainer - Piston Pin .....	8	8	8	8
	(.40C)					
99A-6150-A	.10	Ring - Piston .....	8	8	8	8
99A-6153-A	.15	Ring - Piston Oil Control .....	4	4	4	4
9N-6200-B	2.75	Rod - Connecting Assy. ....	4	4	4	4
352250-S		.110 x .68 Cotter Pin - Connecting Rod .....	8	8	8	8
9N-6211-A	.26	Liner - Connecting Rod Bearing - Std. ....	8	8	8	8
9N-6211-B	.25	Liner - Connecting Rod Bearing - .001 U. S..	8	8	8	8
9N-6211-C	.25	Liner - Connecting Rod Bearing - .002 U. S..	8	8	8	8
9N-6211-D	.25	Liner - Connecting Rod Bearing - .005 U. S..	8	8	8	8
18-6212	.05	Nut - Connecting Rod .....	8	8	8	8
9N-6250-B	5.00	Camshaft .....	1	1	1	1
350400-S		Hex Bolt .....	4	4	4	4
11A-6256	3.35	Gear, Camshaft .....	1	1	1	1
91A-6258	.05	Lock Ring .....	1	1	1	1
91A-6266	.12	Seal - Camshaft Rear Bearing .....	1	1	1	1
9N-6271	.70	Bushing - Camshaft, Front .....	1	1	1	1
9N-6272	1.10	Bushing - Camshaft, Center & Rear .....	2	2	2	2
9N-6303	18.50	Crankshaft .....	1	1	1	1
48-6306	1.10	Gear - Crankshaft .....	1	1	1	1
74156-S		1/4 x 1-1/8 Woodruff Key to Crankshaft .....	1	1	1	1
40-6310	.07	Slinger - Crankshaft Oil .....	1	1	1	1
9N-6312	1.55	Pulley Assy. - Crankshaft .....	1	1	1	1
2N-6319-A	.43	Ratchet - Crankshaft .....	1	1	1	1
9N-6325	.95	Cap - Crankshaft Bearing (Rear) .....	1	1	1	1
9N-6330	.95	Cap - Crankshaft Bearing (Center) .....	1	1	1	1
9N-6331-A	.82	Liner-Std.-Main Bearing (Center) .....	2	2	2	2
9N-6331-B	.80	Liner-Main Bearing (Center) .001 U.S. ....	2	2	2	2
9N-6331-C	.80	Liner-Main Bearing (Center) .002 U.S. ....	2	2	2	2
9N-6331-D	.80	Liner-Main Bearing (Center) .005 U.S. ....	2	2	2	2
9N-6333-A	.40	Liner-Std.-Main Bearing Front & Rear .....	4	4	4	4
9N-6333-B	.40	Liner-Main Bearing Front & Rear, .001 U.S. .	4	4	4	4
9N-6333-C	.40	Liner - Main Bearing Front & Rear, .002 U.S.				
9N-6333-D	.40	Liner-Main Bearing Front & Rear, .005 U. S..				
91A-6335	.25	Seal - Crankshaft Rear Bearing Oil .....	1	1	1	1
9N-6345	.15	Stud (Short) - Main Bearing Cap .....	5	5	5	5
9N-6346	.20	Stud (Long) - Main Bearing Cap .....	1	1	1	1
B-6348	.07	Nut(Castle) 1/2 - 20 Special .....	6	6	6	6
9N-6375	7.50	Fly Wheel and Ring Gear Assy. ....	1	1	1	1
350645-S		7/16 - 20 x .84 Hex Bolt - to Crankshaft ...	4	4	4	4
9N-6384	1.40	Gear - Flywheel Starting .....	1	1	1	1
B-6387	.04	Dowel - Flywheel to Crankshaft .....	2	2	2	2
18-6397	.04	Dowel-Cylinder Block to Transmission and Front Cover .....	1	1	1	1
18-6500-A4	.25	Push Rod - Valve .....	8	8	8	8
40-6505-A	.40	Valve - Intake .....	4	4	4	4
9N-6505	.50	Valve - Exhaust .....	4	4	4	4
40-6510-B	.30	Bushing - Valve Guide .....	16	16	16	16
40-6512	pr.					
	.02	Retainer - Valve Guide Bushing .....	8	8	8	8
	(1.55C)					
2NC-6513	.19	Spring - Valve .....	8	8	8	8
40-6514-B	.03	Retainer - Valve Spring .....	8	8	8	8
	(2.50C)					
9N-6520	.25	Cover - Valve Chamber .....	2	2	2	2
88146-S		5/16-24-18 x 2-13/16 Screw Stud-Valve Chamber Cover .....	2	2	2	2
33798-S7-8		5/16-24 Hex Nut - Valve Chamber Cover .....	2	2	2	2

\*Not subject to regular discount

# MOTO-TUG PARTS PRICE LIST



# MOTO-TUG PARTS PRICE LIST

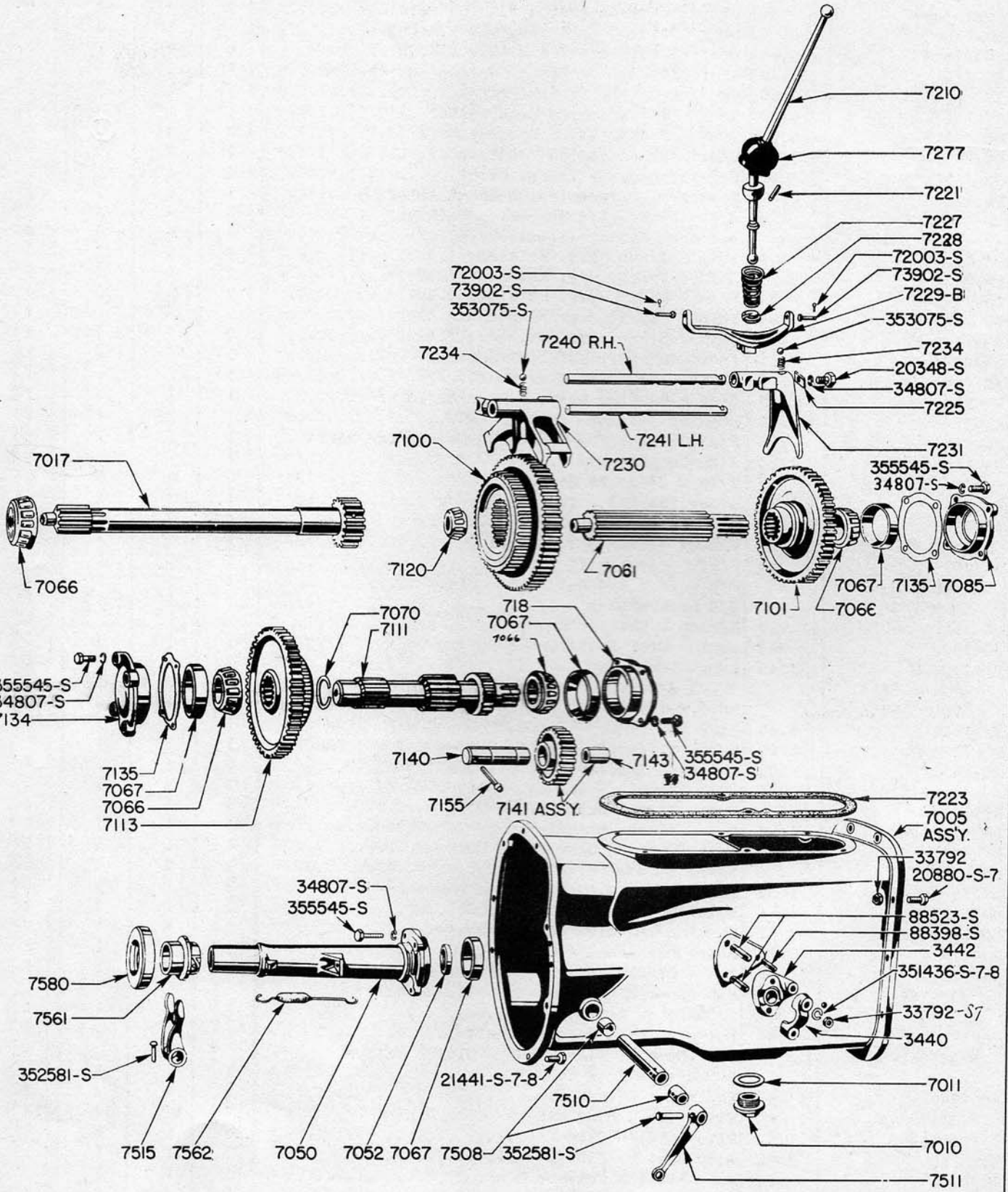
Part Number	Price	Part Name	BNO Models Used on & Units			
			25	25S	40	40S
<b>ENGINE (Cont'd)</b>						
34806-S7-8		5/16 Lock Washer-Valve Chamber Cover .....	2	2	2	2
9N-6521	\$ .11	Gasket - Valve Chamber Cover .....	2	2	2	2
9N-6603	2.90	Body Assy. - Oil Pump .....	1	1	1	1
22503-S		1/4 - 20 x 5/8 Hex Bolt - to Side Cover ....	3	3	3	3
9N-6608	2.10	Drive Gear and Shaft Assy.-Oil Pump .....	1	1	1	1
52-6610-B	.55	Gear - Oil Pump Driven .....	1	1	1	1
9N-6612	.08	Bushing - Oil Pump Body .....	1	1	1	1
52-6614-B	.55	Gear - Oil Pump Driving .....	1	1	1	1
9N-6615	2.50	Screen Cover Assy. - Oil Pump .....	1	1	1	1
9N-6619	.01	Gasket - Oil Pump Cover .....	1	1	1	1
01A-6654	.01	Spring - Oil Relief Valve .....	1	1	1	1
01A-6663	.01	Plunger - Oil Relief Valve .....	1	1	1	1
68-6666	.06	Nut - Oil Relief Valve .....	1	1	1	1
9N-6675	30.70	Pan - Oil .....	1	1	1	1
20366-S2		5/16-18 x 7/8 Hex Bolt - Oil Pan to Cylinder Block .....	16	16	16	16
34806-S7-8		5/16 Lock Washer - Oil Pan to Cylinder Block	16	16	16	16
72038-S7-8		7/32 x 1 Cotter Pin - Drain Hole .....	1	1	1	1
B-6700	.08	Packing - Oil Pan and Cylinder Front Cover .	2	2	2	2
91A-6701	.10	Packing - Oil Pan Rear .....	2	2	2	2
9N-6710	.13	Gasket - Oil Pan R.H. ....	1	1	1	1
9N-6711	.13	Gasket - Oil Pan L.H. ....	1	1	1	1
9N-6730	1.10	Plug and Screen Assy. - Oil Drain .....	1	1	1	1
91A-6734	.04	Gasket - Drain Plug .....	1	1	1	1
9N-6750-A	.10	Indicator - Oil Level .....	1	1	1	1
9N-6763	.45	Pipe Assy. - Oil Filler .....	1	1	1	1
9N-6766	.30	Cap Assy. - Oil Filler .....	1	1	1	1
9N-7020	.15	Tube - Oil Level Indicator .....	1	1	1	1
<b>TRANSMISSION</b>						
(See Illustration on Page 18)						
9N-7005-B	55.00	Case Assy. - Transmission .....	1	1	1	1
BNO-7005-B	* 68.00	Case Assy. - Transmission .....	0	0	1	0
20880-S7-8		7/16-20 x 1.38 Hex Head Bolt, Center Housing to Transmission Housing .....	10	10	10	10
33792-S7-8		7/16-20 Hex Nut - Center Housing to Transmission Housing .....	10	10	10	10
21441-S7-8		7/16 - 14 x 1.12 Hex Bolt - Transmission Housing to Motor .....	9	9	9	9
9N-7010	.55	Plug (Drain) - Transmission .....	3	3	3	3
9N-7011	.02	Gasket - Transmission Drain Plug .....	3	3	3	3
9N-7017-A	7.80	Gear - Transmission Main Drive .....	1	1	0	0
9N-7017-B	13.20	Gear - Transmission Main Drive .....	0	0	①	1
9N-7020	.15	Tube (Short) - Transmission Oil Level Indicator .....	1	1	1	1
9N-7050	3.40	Retainer - Transmission Main Drive Gear Bearing .....	1	1	1	1
78-7052	.30	Oil Seal - Main Bearing .....	1	1	1	1
355545-S		3/8 - 16 x 1-1/4 Hex Bolt - Retainer .....	4	4	4	4
34807-S7-8		3/8 Lock Washer .....	4	4	4	4
BNO-7060	.10	Spring - Pedal Return .....	2	2	2	2
9N-7061	4.00	Shaft (Main) - Transmission .....	1	1	1	1
9N-7066	1.45	Cone & Roller Assy. - Transmission Main & Countershaft Bearing .....	4	4	4	4
9N-7067	.80	Cup - Transmission Main & Countershaft Bearing .....	4	4	4	4
9N-7070	.05	Ring (Snap) - Transmission Countershaft ....	1	1	1	1
9N-7085	.95	Retainer - Transmission Main Shaft Bearing .	1	1	1	1
355545-S		3/8-16 x 1-1/4 Hex Bolt - Retainer .....	4	4	4	4
*Not subject to regular discount						

# MOTO-TUG PARTS PRICE LIST

Part Number	Price	Part Name	BNO Models Used on & Units			
			25	25S	40	40S
TRANSMISSION (Cont'd)						
34807-S7-8		3/8 Lock Washer .....	4	4	4	4
9N-7086	\$ .01	Gasket - Transmission Bearing Retainer .....	2	2	2	2
9N-7100	15.00	Gear (Sliding) - Trans. Low & High .....	1	1	0	1
BNO-7100	*30.00	Gear (Sliding) - Trans. Low & High .....	0	0	1	0
9N-7101	12.50	Gear (Sliding) - Trans. Second and Reverse ..	1	1	1	1
9N-7111	10.00	Countershaft - Transmission .....	1	1	1	1
9N-7113-A	15.00	Gear - Transmission Countershaft.....	1	1	0	0
BNO-7113-B	*29.00	Gear - Transmission Countershaft .....	0	0	①	0
9N-7113-B	*17.00	Gear - Transmission Countershaft .....	0	0	0	1
9N-7120	1.41	Bearing Assy. - Trans. Pilot .....	1	1	1	1
9N-7134	1.00	Retainer - Transmission Countershaft Bearing.	1	1	1	1
355545-S		3/8 - 16 x 1-1/4 Hex Bolt, Retainer .....	4	4	4	4
34807-S7-8		3/8 Lock Washer .....	4	4	4	4
9N-7135-A	.04	Shim - Trans. Brg. Retainer (.003) .....	2	2	2	2
9N-7135-B	.04	Shim - Trans. Brg. Retainer (.004) .....	2	2	2	2
9N-7135-C	.04	Shim - Trans. Brg. Retainer (.007) .....	2	2	2	2
9N-7135-D	.04	Shim - Trans. Brg. Retainer (.010) .....	2	2	2	2
9N-7135-E	.04	Shim - Trans. Brg. Retainer (.020) .....	2	2	2	2
9N-7137-B	.15	Indicator (Oil Level) Trans. ....	1	1	1	1
9N-7140	.75	Shaft - Reverse Idler Gear .....	1	1	1	1
9N-7141	3.25	Gear & Bushing Assy. - Reverse Idler .....	1	1	1	1
9N-7143	.35	Bushing - Trans. Idler Gear .....	1	1	1	1
9N-7155	.05	Pin (Retainer) - Trans. Reverse Idler Shaft .	1	1	1	1
9N-7158-A	1.00	Side Cover Assy. ....	1	1	1	1
21440-S7-8		7/16 - 24 x .75 Hex Bolt .....	6	6	6	6
9N-7210	2.40	Lever (Shift) - Trans. Gear .....	1	1	1	1
9N-7221	.02	Pin - Gear Shift Lever .....	1	1	1	1
9N-7223-B	.16	Gasket - Gear Shift Housing .....	1	1	1	1
9N-7225	.05	Plate - Gearshift Fork Rod .....	1	1	1	1
20348-S		3/8 - 16 x 3/4 Hex Bolt - Plate .....	1	1	1	1
34807-S		3/8 Lock Washer .....	1	1	1	1
9N-7227	.15	Spring - Shifter Lever .....	1	1	1	1
9N-7228	.30	Seat - Gear Shift Lever Spring .....	1	1	1	1
9N-7229-B	1.00	Lock - Gear .....	1	1	1	1
73902-S7-8		3/8 x 1 Clevis Pin - Lock to Housing .....	2	2	2	2
72003-S7-8		1/16 x 1/2 Cotter Pin .....	2	2	2	2
9N-7230-B	4.50	Fork (Shifter) - Trans. Low and High Gear ...	1	1	1	1
9N-7231-B	3.10	Fork (Shifter) - Trans. Second and Reverse ..	1	1	1	1
79-7234	.02	Spring - Shifter Fork .....	2	2	2	2
353075-S		Ball (Steel) - Transm. Shifter Fork .....	2	2	2	2
9N-7240	1.00	Rod - Trans. Selector R. H. ....	1	1	1	1
9N-7241	1.00	Rod - Trans. Selector L.H. ....	1	1	1	1
9N-7277	.18	Seal (Dust) - Gear Shift Lever .....	1	1	1	1
BNO-7414	1.00	Shaft - Pedal Pivot .....	2	2	2	2
9N-7503	1.35	Shaft and Arm Assy. - Clutch Release .....	1	1	1	1
9N-7508	.15	Bushing - Clutch Pedal .....	1	1	1	1
40-7508	.07	Bushing - Clutch Release Shaft .....	1	1	1	1
B-7510	.55	Shaft (Release) - Clutch .....	1	1	1	1
9N-7511	.75	Arm - Clutch Release Shaft .....	1	1	1	1
352581-S7-8		Pin (Special Flat Head) - Clutch Release Shaft to Arm .....	1	1	1	1
48-7515	.40	Fork - Clutch Release Shaft .....	1	1	1	1
352581-S7-8		Pin (Special Flat Head) - Clutch Release Shaft to Fork .....	1	1	1	1
40-7549	.45	Facings - Clutch Disc .....	2	2	2	2
351926-S		Rivet (Flat Head C'sunk) Clutch Disc .....	24	24	24	24
60006-S		Rivet Clutch Disc .....	6	6	6	6
91A-7550	3.85	Disc Assy. - Clutch .....	1	1	1	1
9N-7561	.81	Hub - Clutch Release Bearing .....	1	1	1	1
9N-7562	.09	Spring - Clutch Release Bearing .....	2	2	2	2
09A-7563	5.25	Pressure Plate and Cover Assy. Clutch .....	1	1	1	1
350439-S		Screw (Hex Head) Clutch Release Arm .....	3	3	3	3

\*Not subject to regular discount

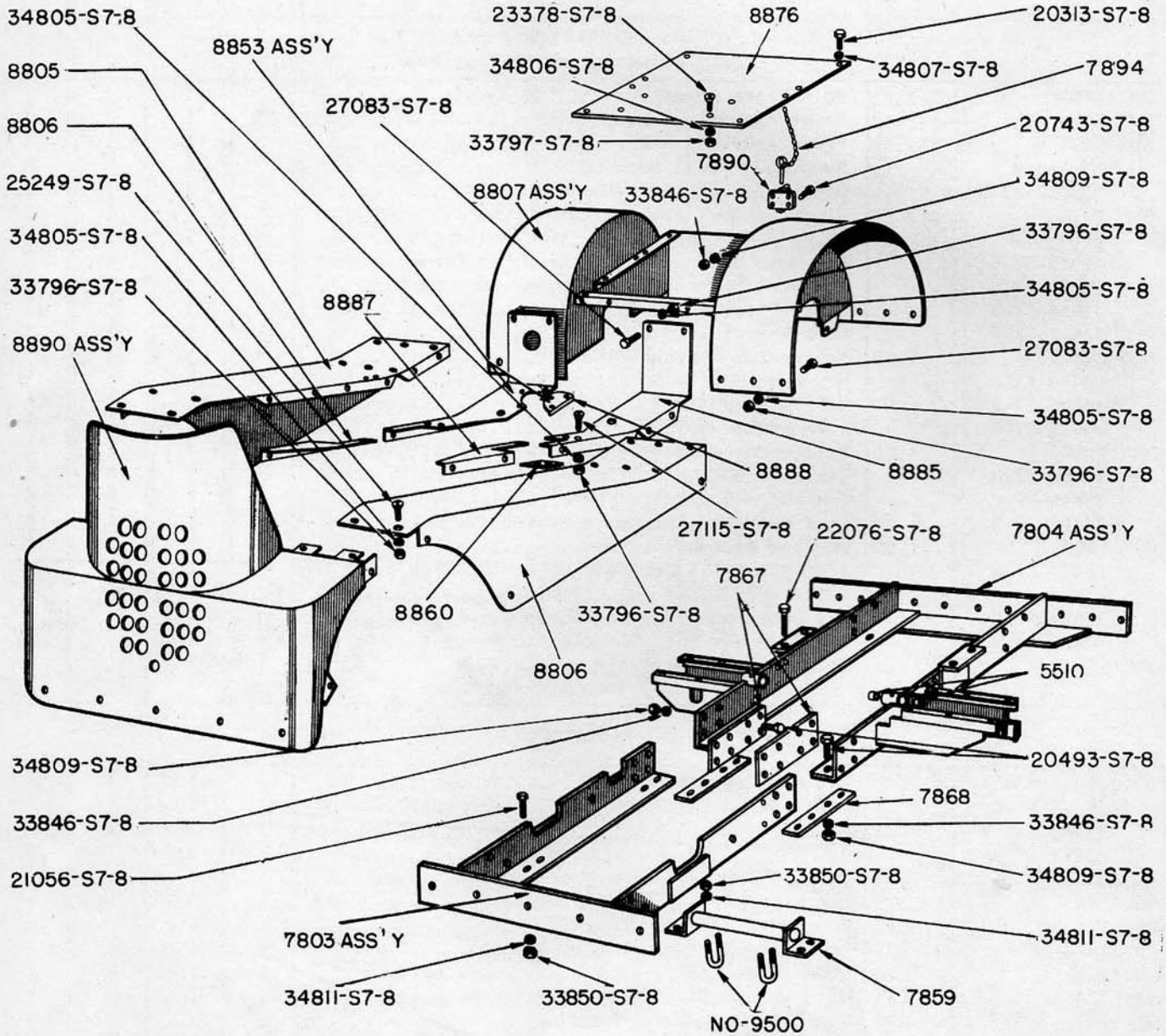
# MOTO-TUG PARTS PRICE LIST



# MOTO-TUG PARTS PRICE LIST

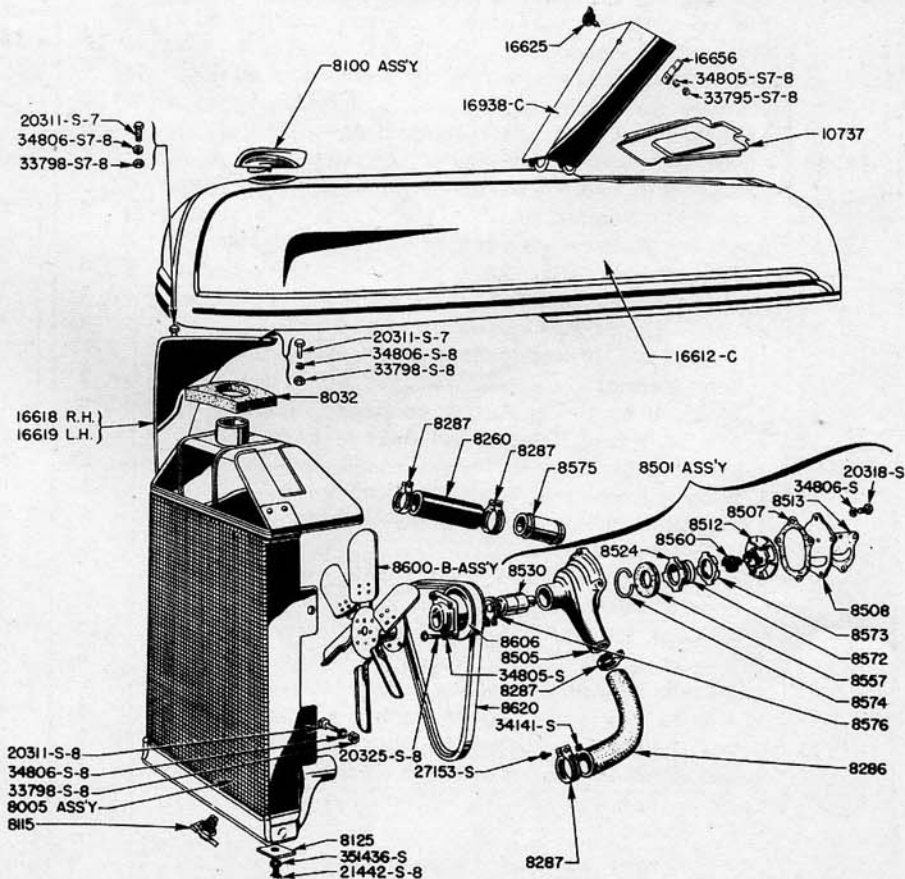
Part Number	Price	Part Name	BNO Models Used on & Units			
			25	25S	40	40S
<b>TRANSMISSION (Cont'd)</b>						
34806-S7-8		Washer (Lock) Clutch Release Arm .....	3	3	3	3
72004-S		Cotter Pin - Clutch Release Arm .....	3	3	3	3
72034-S		Cotter Pin - Clutch Release Arm .....	3	3	3	3
350433-S		5/16 - 18 x 1.0 Hex Head Screw - Clutch to Flywheel .....	6	6	6	6
34806-S7-8		5/16 Lock Washer - Clutch to Flywheel .....	6	6	6	6
78-7580	\$ 1.75	Bearing Assy. - Clutch Release .....	1	1	1	1
B-7600-A	1.25	Bearing - Clutch Pilot .....	1	1	1	1
B-7609	.03	Retainer - Flywheel Dowel .....	1	1	1	1
<b>FRAME AND COUPLER ASSEMBLY</b> (See Illustration on Page 20)						
BNO-7800	*115.00	Main Frame Assembly .....	1	1	1	1
BNO-7803	*57.50	Frame Assembly - Front Half .....	1	1	1	1
BNO-7804	*57.50	Frame Assembly - Rear Half .....	1	1	1	1
BNO-5510	.15	Bushing - Pedal Bearing .....	4	4	4	4
353027-A1-S7-8		Lubricator Fitting - Pedal Bearing .....	2	2	2	2
BNO-7859	*12.50	Front Support Assy. - Main Frame .....	1	1	1	1
BNO-9500	.84	U. Bolt - Support Assy. to Tractor .....	2	2	2	2
21056-S7-8		Hex Head Bolt - Support Assy. to Frame .....	4	4	4	4
22076-S7-8		Hex Head Bolt - Frame to Rear Axle Housing ..	4	4	4	4
33850-S7-8		Hex Nut .....	12	12	12	12
34811-S7-8		Lock Washer .....	12	12	12	12
BNO-7867	3.50	Splice Bar - Frame Side .....	2	2	2	2
20493-S7-8		Hex Head Bolt - Splice to Frame .....	16	16	16	16
33846-S7-8		Hex Nut - Splice to Frame .....	16	16	16	16
34809-S7-8		Lock Washer-Splice to Frame .....	16	16	16	16
BNO-7868	3.50	Splice Bar - Frame Bottom .....	2	2	2	2
20493-S7-8		Hex Head Bolt - Splice to Frame .....	8	8	8	8
33846-S7-8		Hex Nut - Splice to Frame .....	8	8	8	8
34809-S7-8		Lock Washer - Splice to Frame .....	8	8	8	8
BNO-7890	11.25	Coupler Assembly .....	1	1	1	1
20473-S7-8		1/2 - 20 x 1.5 Hex Head Bolt - Coupler to Tractor .....	4	4	4	4
34809-S7-8		1/2 Lock Washer - Coupler to Tractor .....	4	4	4	4
33846-S7-8		1/2 - 20 Hex Nut - Coupler to Tractor .....	4	4	4	4
BNO-7894	.75	Coupler Chain Assembly .....	1	1	1	1
<b>RADIATOR</b>						
9N-8005	22.00	Radiator Assembly .....	1	1	1	1
20311-S7-8		Bolt (Hex Head)-Radiator to Side Panel .....	2	2	2	2
351436-S7-8		Washer (Lock) - Radiator to Support Bolt ....	2	2	2	2
33798-S7-8		Hex Nut - Radiator to Side Panel .....	2	2	2	2
9N-8032-A2	.50	Pad - Radiator Filler Neck .....	1	1	1	1
9N-8100	.95	Cap Assembly - Radiator .....	1	1	1	1
9N-8115	.20	Cock (Drain) - Radiator .....	1	1	1	1
40-8125-A	.01	Anti-Squeak - Radiator to Bracket .....	2	2	2	2
9N-8260	.26	Hose - Radiator .....	1	1	1	1
9N-8286	.55	Hose - Radiator Outlet to Water Pump .....	1	1	1	1
2N-8287	.05	Clamp Assy. - Radiator Hose .....	4	4	4	4
27153-S7-8		Screw (Round Head) - Hose Clamp Assy. ....	4	4	4	4
34141-S7-8		Nut (Square)-Hose Clamp Assy. Screw .....	4	4	4	4
9N-8430-B	.07	Support - Side Panel .....	2	2	2	2
20346-S7-8		Bolt (Hex Head) Bracket to Support .....	4	4	4	4
33798-S7-8		Nut (Hex) - Bracket to Support .....	4	4	4	4
34706-S7-8		Washer (Flat) - Bracket to Support .....	8	8	8	8
*Not subject to regular discount						

# MOTO-TUG PARTS PRICE LIST



# MOTO-TUG PARTS PRICE LIST

Part Number	Price	Part Name	BNO Models Used on & Units			
			25	28S	40	40S
<b>RADIATOR (Cont'd)</b>						
34806-S7-8	\$ .50	Washer (Lock) Bracket to Support .....	4	4	4	4
9N-8032-A2		Pad - Radiator Neck .....	1	1	1	1
<b>WATER PUMP</b>						
9N-8501	7.75	Water Pump Assembly .....	1	1	1	1
9N-8505	2.50	Housing - Water Pump .....	1	1	1	1
20318-S7-8		Bolt (Hex Head) - Water Pump to Cylinder Block .....	1	1	1	1
33798-S7-8		Nut (Hex) - Water Pump Stud .....	3	3	3	3
34806-S7-8		Lock Washer - Water Pump Housing to Cylinder Block Stud .....	4	4	4	4
9N-8507	.03	Gasket - Water Pump .....	1	1	1	1
9N-8508	.15	Cover - Water Pump .....	1	1	1	1
78-8512	.40	Impeller - Water Pump .....	1	1	1	1
9N-8513	.02	Gasket (Rear) - Water Pump .....	1	1	1	1
68-8524	.10	Seal - Water Pump .....	1	1	1	1
79-8530	2.50	Bearing Assy. - Water Pump .....	1	1	1	1
68-8557-A	.20	Washer - Water Pump .....	1	1	1	1
68-8560	.04	Spring - Water Pump .....	1	1	1	1
68-8572	.02	Ring (Clamp) - Water Pump .....	1	1	1	1
68-8573	.04	Guide (Spring) - Water Pump .....	1	1	1	1
68-8574	.01	Wire (Snap) .....	1	1	1	1
9N-8575-A	1.25	Thermostat Assembly .....	1	1	1	1
9N-8576	.05	Ring (Snap) - Water Pump Housing .....	1	1	1	1
9N-8600-C	2.79	Fan Assy. (6 Blade Pull Type) .....	1	1	1	1
20325-S7		Bolt (Hex Head) - Fan to Fan Pulley .....	4	4	4	4
34805-S7		Lock Washer - Fan to Fan Pulley .....	4	4	4	4
9N-8606	2.25	Pulley - Fan .....	1	1	1	1
9N-8620-B	1.07	Belt - Fan .....	1	1	1	1





# MOTO-TUG PARTS PRICE LIST

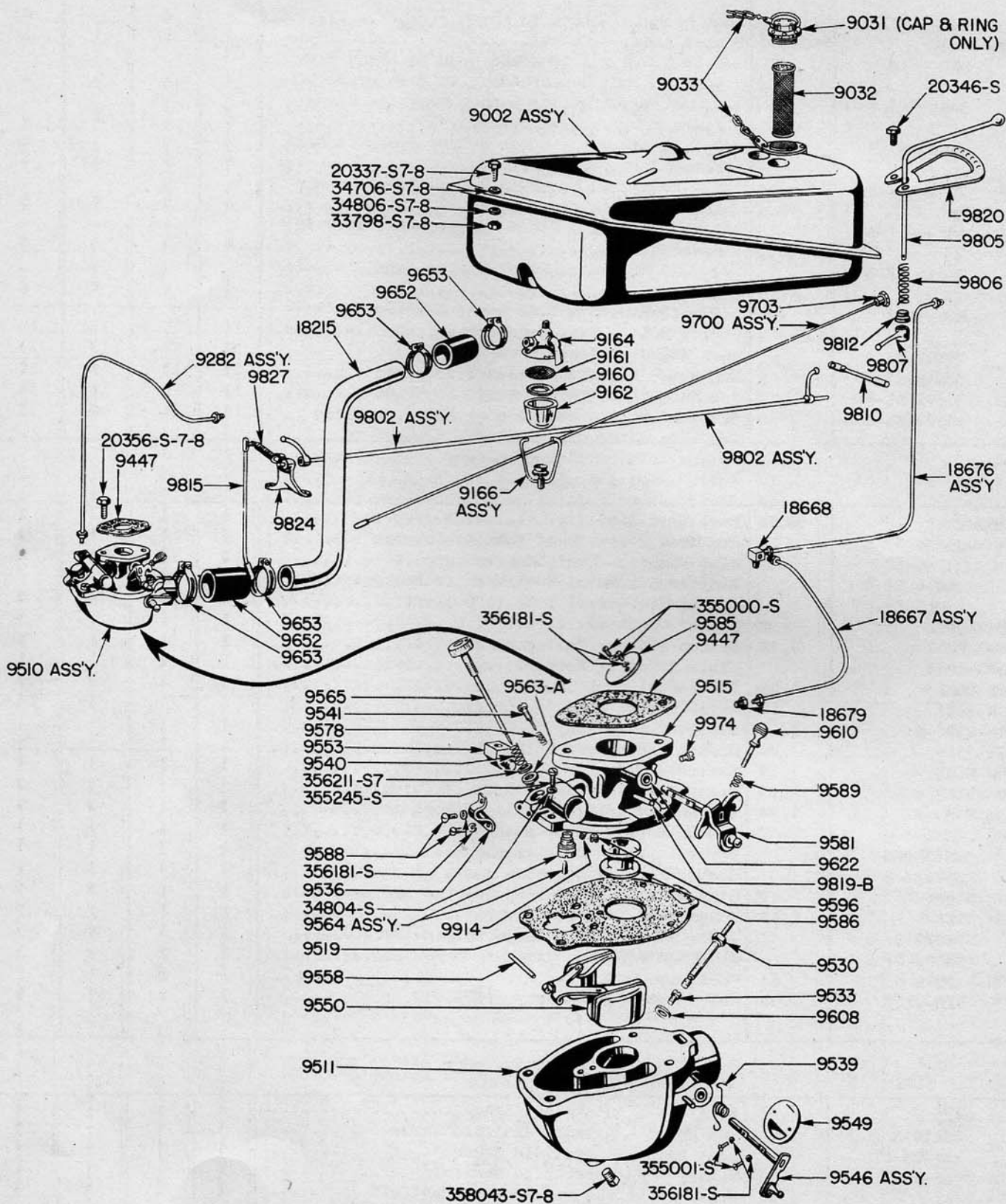
Part Number	Price	Part Name	BNO Models Used on & Units			
			25	25S	40	40S
<b>FENDER AND BUMPER</b> (See Illustration on Page 20)						
BNO-8805 25249-S7-8	*30.00	Fender - R. H. Front .....	1	1	1	1
		1/4 - 28 x .62 Flat Head Bolt - Front Fenders to Support .....	10	10	10	10
34805-S7-8		1/4 Lock Washer - Front Fenders to Support ..	10	10	10	10
33796-S7-8		1/4 - 28 Hex Nut - Front Fenders to Support .	10	10	10	10
BNO-8806 25249-S7-8	*30.00	Fender - L. H. Front .....	1	1	1	1
		1/4 - 28 x .62 Flat Head Bolt - Front Fenders to Support .....	10	10	10	10
34805-S7-8		1/4 Lock Washer - Front Fenders to Support ..	10	10	10	10
33796-S7-8		1/4 - 28 Hex Nut - Front Fenders to Support .	10	10	10	10
BNO-8807 34809-S7-8	*140.00	Rear Fender Assembly .....	1	1	1	1
		1/2 Lock Washer - Rear Fender Assy. to Main Frame .....	11	11	11	11
33845-S7-8		1/2 - 13 Hex Nut - Rear Fender Assy. to Main Frame .....	11	11	11	11
20493-S7-8		1/2 - 20 x 1.62 Hex Head Bolt - Rear Fender Assy. to Main Frame .....	12	12	12	12
34809-S7-8		1/2 Lock Washer - Rear Fender Assy. to Main Frame .....	12	12	12	12
33846-S7-8		1/2 - 20 Hex Nut - Rear Fender Assy. to Main Frame .....	12	12	12	12
BNO-8819 20453-S7-8	1.50	Brace - Fender Skirt .....	2	2	2	2
		1/2 - 20 x 1.38 Hex Head Bolt - Fender Skirt Brace to Main Frame .....	2	2	2	2
34809-S7-8		1/2 Lock Washer - Fender Skirt Brace to Main Frame .....	2	2	2	2
33846-S7-8		1/2 - 20 Hex Nut - Fender Skirt Brace to Main Frame .....	2	2	2	2
BNO-8853 27083-S7-8	*13.75	Apron - Lower R. H. Including Plates .....	1	1	1	1
		1/4 - 28 x .50 Round Head Bolt - Cover to Apron .....	6	6	6	6
27115-S7-8		1/4 - 28 x .75 Rd. Hd. Bolt - Apron to Apron.	4	4	4	4
34805-S7-8		1/4 Lock Washer - Apron to Apron and Brake Cover to Apron .....	10	10	10	10
33796-S7-8		1/4 - 28 Hex Nut - Apron to Apron and Brake Cover to Apron .....	10	10	10	10
BNO-8860	.05	Anti-Rattler - Brake & Clutch Assy. ....	2	2	2	2
BNO-8876 27083-S7-8	10.00	Cover Plate - Weight Box .....	1	1	1	1
		1/4 - 28 x .50 Round Head Screw - Cover Plate to Rear Fender Assy. ....	8	8	8	8
34805-S7-8		1/4 Lock Washer - Cover Plate to Rear Fender Assy. ....	8	8	8	8
BNO-8885	11.25	Apron - Lower L.H. ....	1	1	1	1
BNO-8886 27083-S7-8	1.75	Apron - Upper R.H. ....	1	1	1	1
		1/4 - 28 x .50 Round Head Screw - Apron to Rear Fender .....	2	2	2	2
34805-S7-8		1/4" Lock Washer - Apron to Rear Fender .....	2	2	2	2
27083-S7-8		1/2 - 28 x .50 Round Head Bolt - Apron to Fenders .....	6	6	6	6
34805-S7-8		1/2 Lock Washer - Apron to Fenders .....	6	6	6	6
33796-S7-8		1/4 - 28 Hex Nut - Apron to Fenders .....	6	6	6	6
BNO-8887 27083-S7-8	1.75	Apron - Upper L. H. ....	1	1	1	1
		1/4 - 28 x .50 Round Head Screw - Apron to Rear Fender .....	2	2	2	2
34805-S7-8		1/4" Lock Washer - Apron to Rear Fender .....	2	2	2	2
27083-S7-8		1/2 - 28 x .50 Bolt - Apron to Fenders .....	6	6	6	6
34805-S7-8		1/2 Lock Washer - Apron to Fenders .....	6	6	6	6
33796-S7-8		1/4 - 28 Hex Nut - Apron to Fenders .....	6	6	6	6
BNO-8888 27083-S7-8	1.25	Cover - Brake Cylinder Inspection .....	1	1	1	1
		Round Head Screw - Cover to Apron .....	3	3	3	3
34805-S7-8		Lock Washer - Cover to Apron .....	3	3	3	3

\*Not subject to regular discount

# MOTO-TUG PARTS PRICE LIST

Part Number	Price	Part Name	BNO Models Used on & Units			
			25	25S	40	40S
<b>FENDER AND BUMPER (Cont'd)</b>						
34805-S7-8	\$*95.00 .35            .35	Lock Washer - Plate to Apron .....	4	4	4	4
BNO-8890		Bumper Assy. - Front .....	1	1	1	1
BNO-9815		1/2-13 N.C.2 x 1.50 Round Head Sq. Neck Plow Bolt - Front Bumper Assy. to Main Frame ....	5	5	5	5
34809-S7-8		1/2 Lock Washer-Front Bumper Assy. to Main Frame .....	5	5	5	5
33845-S7-8		1/2 - 13 Hex Nut - Front Bumper Assy. to Main Frame .....	5	5	5	5
20493-S7-8		1/2 - 20 x 1.62 Hex Head Bolt - Front Bumper Assy. to Main Frame .....	6	6	6	6
34809-S7-8		1/2 Lock Washer - Front Bumper Assy. to Main Frame .....	6	6	6	6
33846-S7-8		1/2 - 20 Hex Nut - Front Bumper Assy. to Main Frame .....	6	6	6	6
BNO-9816		1/2 - 13 N.C. 2 x 1.62 Round Head Sq. Neck Plow Bolt - Rear Fender Assy. to Main Frame.	11	11	11	11
34809-S7-8		Lock Washer - Rear Fender .....	23	23	23	23
33846-S7-8		Hex Nut - Rear Fender Assy. to Frame .....	12	12	12	12
33845-S7-8		Hex Nut - Rear Fender Assy. to Frame .....	11	11	11	11
20493-S7-8		Hex Head Bolt - Rear Fender Assy. to Frame ...	12	12	12	12
<b>FUEL SYSTEM</b> (See Illustration on Page 24)						
BNO-9002		28.85	Fuel Tank Assy. ....	1	1	1
25620-S7-8		Hex Head Bolt - Fuel Tank to Support .....	3	3	3	3
34706-S7-8		Flat Washer - Fuel Tank to Support .....	3	3	3	3
34016-S7-8		Slotted Hex Nut - Fuel Tank to Support .....	3	3	3	3
72015-S7-8		Cotter Pin - Fuel Tank to Support .....	3	3	3	3
BNO-9031	6.50	Filler Cap Assy. ....	1	1	1	1
BNO-9032	3.25	Screen - Inner Filler Neck .....	1	1	1	1
BNO-9033		Chain & Swivel Assy. ....	1	1	1	1
9N-9067	.05	Pad - Fuel Tank Support .....	3	3	3	3
9N-9121	.10	Anti-Rattler - Fuel Line .....	1	1	1	1
9N-9155-A	2.12	Sediment Bulb Assy. ....	1	1	1	1
9N-9160	.04	Gasket - Sediment Bulb .....	1	1	1	1
9N-9161	.10	Screen - Sediment Bulb .....	1	1	1	1
9N-9162	.15	Glass Bowl - Sediment Bulb .....	1	1	1	1
9N-9164-A	1.94	Valve Body Assy. - Sediment Bulb .....	1	1	1	1
356392-S		Washer - Valve Body Assy. ....	1	1	1	1
356390-S		Washer - Valve Body Assy. ....	1	1	1	1
357244-S		Cotter Pin - Valve Body Assy. ....	1	1	1	1
9N-9166	.19	Clamps, Wire and Screen Assy. - Sediment Bulb.	1	1	1	1
9N-9273	1.45	Gauge Assy. - Oil Pressure .....	1	1	1	1
34079-S7-8		#10 - 32 Hex Nut - Gauge to Dash .....	2	2	2	2
34803-S7-8		#10 Lock Washer - Gauge to Dash .....	2	2	2	2
9N-9282-A	.33	Fuel Line Assy. ....	1	1	1	1
91A-2133	.03	Nut - Fuel Line Assy. ....	2	2	2	2
<b>MANIFOLD</b>						
9N-9425	4.90	Manifold - Intake and Exhaust .....	1	1	1	1
33816-S		Nut (Hex) - Exhaust Manifold Studs .....	4	4	4	4
351436-S7		Lock Washer - Manifold Studs .....	4	4	4	4
9N-9447	.02	Gasket - Carburetor to Manifold .....	1	1	1	1
9N-9448	.05	Gasket - Intake and Exhaust Manifold .....	2	2	2	2
<b>AIR CLEANER</b>						
9N-9600-C1	6.67	Air Cleaner Assy.....	1	1	1	1
*Not subject to regular discount						

# MOTO-TUG PARTS PRICE LIST



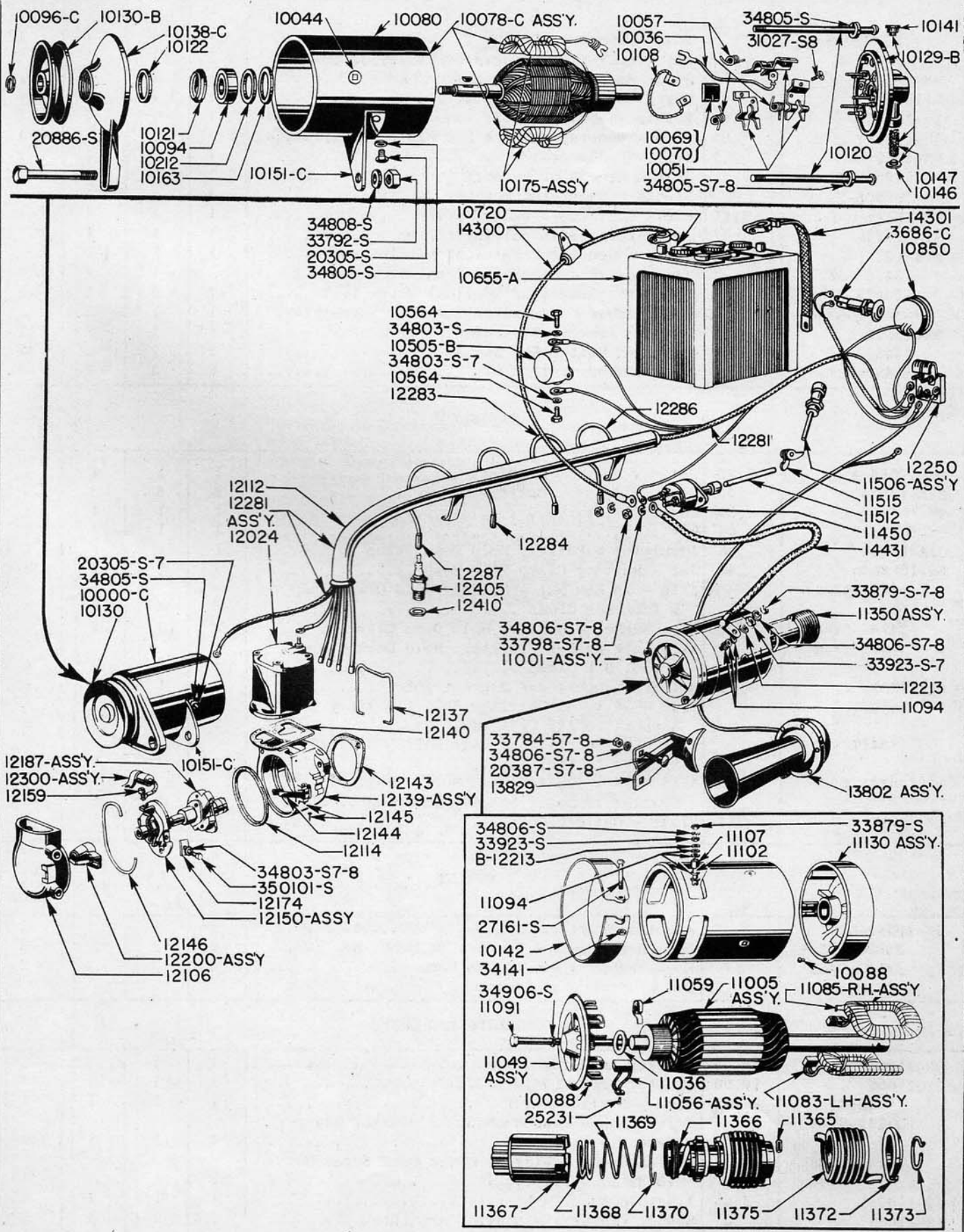
# MOTO-TUG PARTS PRICE LIST

Part Number	Price	Part Name	BNO Models Used on & Units			
			25	25S	40	40S
<b>AIR CLEANER (Cont'd)</b>						
21440-S7-8		7/16 - 14 x .75 Hex Head Bolt - Air Cleaner to Housing .....	2	2	2	2
351436-S7-8		7/16 Lock Washer - Air Cleaner to Battery Support .....	2	2	2	2
33792-S7-8		7/16 Hex Nut - Air Cleaner to Battery Support .....	2	2	2	2
9N-9602-C1	.70	Cover Assy. - Use for C3 only .....	1	1	1	1
355940-S7-8		1/4-20 Wing Nut - Cover .....	1	1	1	1
9N-9609-C1	5.00	Body Assy. - Use for C3 only .....	1	1	1	1
9N-9619-C1	.25	Screen (Inner) - Use for C3 only .....	1	1	1	1
9N-9623	\$ .02	Gasket - Air Cleaner Top .....	1	1	1	1
9N-9628-C1	.65	Clamp Assy. - Use for C3 only .....	1	1	1	1
9N-9652	.10	Hose - Air Cleaner to Carburetor .....	2	2	2	2
9N-9653	.04	Clamp - Air Cleaner to Carburetor Hose .....	4	4	4	4
9N-9658-C1	1.50	Oil Cup Assy. - Use for C3 only .....	1	1	1	1
<b>THROTTLE CONTROL</b>						
9N-9700-A	.15	Rod Assy. - Choke Control .....	1	1	1	1
9N-9703	.25	Knob - Choke .....	1	1	1	1
9N-9802	2.20	Shaft Assy. - Throttle Control .....	1	1	1	1
9N-9805	1.45	Rod - Throttle Control .....	1	1	1	1
9N-9806	.02	Spring - Throttle Control Rod .....	1	1	1	1
9N-9807	.70	Lever - Throttle Control (Short) .....	1	1	1	1
9N-9810	.20	Socket Assy. - Throttle Control Rod .....	1	1	1	1
9N-9812	.06	Retainer - Throttle Control Rod Spring .....	1	1	1	1
9N-9815-B	.30	Rod Assy. - Throttle Shaft to Governor .....	1	1	1	1
9N-9820	.60	Quadrant - Throttle Control Rod .....	1	1	1	1
20346-S7-8		Bolt (Hex Head) - Throttle Control Quadrant to Upper Steering Gear Housing .....	2	2	2	2
9N-9824	.06	Bracket - Throttle Control Shaft .....	1	1	1	1
9N-9827	.04	Governor Compensating Spring .....	1	1	1	1
9N-9828	.05	Pin - Throttle Control Shaft Bracket .....	1	1	1	1
9N-9819-A	.10	Pin .....	1	1	1	1
<b>CARBURETOR</b>						
2N-9510	8.80	Carburetor Assy. ....	1	1	1	1
20356-S7		Bolt (Hex Head) - Manifold to Carburetor ....	2	2	2	2
34806-S7-8		Lock Washer - Manifold to Carburetor Bolt ...	2	2	2	2
9N-9511	4.25	Bowl, Carburetor Assy. (Body & Plugs) .....	1	1	1	1
358042-S7-8		Drain Plug .....	1	1	1	1
9N-9515	4.35	Throttle Body Assy. ....	1	1	1	1
34804-S2		Lock Washer - Bowl Cover to Body No. 12.....	4	4	4	4
355245-S7-8		Screw-Bowl Cover to Body .....	4	4	4	4
88367-S		5/16-18-24 x 1-3/16 Stud - Manifold .....	2	2	2	2
34806-S7-8		5/16 Lock Washer - Manifold .....	2	2	2	2
33784-S7-8		5/16 - 24 Hex Nut - Manifold .....	2	2	2	2
9N-9519	.05	Gasket - Between Upper and Lower Body .....	1	1	1	1
9N-9530	.55	Nozzle - Carburetor (Main) .....	1	1	1	1
9N-9533	.20	Jet - Maximum Fuel Limiting .....	1	1	1	1
9N-9536-A	.15	Ratchet Assy. - Main Adjustment .....	1	1	1	1
356181-S		Lock Washer - Main Adjustment Ratchet Assy. .	2	2	2	2
9N-9539	.15	Spring (Choke Return) - Carburetor .....	1	1	1	1
9N-9540-A	.10	Spring - Main Adjustment Needle .....	1	1	1	1
9N-9541	.25	Needle - Idling Adjusting .....	1	1	1	1
2N-9546	.45	Choke Lever and Shaft Assy. ....	1	1	1	1
9N-9549	.65	Choke Fly Assy. ....	1	1	1	1
356181-S		Lock Washer - Main Air Choke Plate .....	2	2	2	2
355001-S7-8		Machine Screw - Main Air Choke Plate .....	2	2	2	2
9N-9550-A	1.10	Float and Lever Assy. ....	1	1	1	1
9N-9553	.58	Strainer and Elbow Assy. ....	1	1	1	1
9N-9558-A	.05	Shaft - Carburetor Float Lever .....	1	1	1	1
9N-9563-A	.05	Gasket - Adjusting Needle Seat Plug .....	1	1	1	1
9N-9564	1.10	Seat and Valve Assy. - Matched Float .....	1	1	1	1

# MOTO-TUG PARTS PRICE LIST

Part Number	Price	Part Name	BNO Models Used on & Units			
			25	25S	* 40	40S
CARBURETOR (Cont'd)						
9N-9565-A	\$ .58	Needle Assy. - Main Adjustment .....	1	1	1	1
356211-S7-8		Flat Washer - Main Adjustment Needle .....	1	1	1	1
9N-9578	.15	Spring - Idle Adjustment Needle .....	1	1	1	1
9N-9581-A	.75	Throttle Shaft and Lever Assy. ....	1	1	1	1
31660-S7-8		Screw (Adjusting) Throttle .....	1	1	1	1
9N-9585-A	.20	Throttle Fly - Carburetor .....	1	1	1	1
356181-S		Lock Washer - Carburetor Throttle Fly .....	2	2	2	2
355000-S		Screw (Machine) - Carburetor Throttle Fly ...	2	2	2	2
9N-9586-A	.35	Venturi .....	1	1	1	1
355000-S		Screw - Carburetor Throttle Plate .....	2	2	2	2
9N-9589	.10	Spring - Throttle Lever Adjustment Screw ....	1	1	1	1
9N-9591	.10	Retainer - Throttle Shaft Packing .....	1	1	1	1
9N-9596	.20	Jet - Idler .....	1	1	1	1
9N-9608	.05	Gasket - Pump Check Valve Screw .....	1	1	1	1
9N-9610	.10	Screw - Carburetor Throttle Adjustment .....	1	1	1	1
9N-9622-A	.05	Packing - Throttle Shaft .....	1	1	1	1
9N-9818-A	.15	Rod - Governor to Carburetor .....	1	1	1	1
9N-9819-A	.10	Pin - Throttle Control Lever .....	1	1	1	1
9N-9914	.15	Jet - Economizer .....	1	1	1	1
355305-S		Screw (Headless) - Idle Drilling Plug .....	1	1	1	1
9N-18376	.30	Gasket Kit - Carburetor .....	1	1	1	1
GENERATOR						
9N-10000-C	16.50	Generator Assy. (Heavy Duty) .....	1	1	1	1
20887-S7		Bolt - Generator to Engine .....	1	1	1	1
33792-S7-8-18		Nut - Generator to Engine Bolt .....	1	1	1	1
351436-S		Washer - Generator to Engine Bolt .....	1	1	1	1
9N-10005-C	6.45	Armature Assy. - Generator .....	1	1	1	1
9N-10036	.06	Wire Assy. - Generator .....	1	1	1	1
31027-S7		Screw - General Field Coil to Brush .....	2	2	2	2
34902-S7-8		Washer .....	5	5	5	5
68-10044	.01	Screw - Pole Piece .....	2	2	2	2
40-10051	.02	Brush Holder - Generator .....	3	3	3	3
31061-S7-8		#8-32 x 1/2 Screw - Brush Holder .....	3	3	3	3
34904-S7-8		#12 Washer - On #8 Screw .....	3	3	3	3
40-10057	.02	Spring - Brush Holder .....	3	3	3	3
9N-10069-B	.25	Brush and Terminal Wire Assy. - Generator ...	3	3	3	3
40-10069	.10	Brush - Generator .....	2	2	2	2
40-10070	.07	Brush - Generator (adj.) .....	1	1	1	1
31027-S7-8		#8-32 x 3/16 Screw - Field Coil to Brush ....	2	2	2	2
34904-S7-8		#12 Washer - On #8 Screw .....	2	2	2	2
18-10088	.01	Dowel - Generator and Starter Frame .....	2	2	2	2
9N-10096-C	.01	Ring - Generator Pulley Retaining .....	1	1	1	1
9N-10120	.04	Bolt (Through) - Generator .....	2	2	2	2
34803-S7-8		Lock Washer - Generator End Plate and Frame Assy. #10 .....	2	2	2	2
18-10120-A	.04	Bolt - Generator (Through) .....	2	2	2	2
34805-S7-8		Lock Washer - Generator End Plate and Frame Assy. ....	2	2	2	2
9N-10129-B	1.65	Generator Brush End Plate Assy. ....	1	1	1	1
31588-S7-8		Screw - Brush Terminal to End Plate .....	2	2	2	2
34939-S7-8		Washer (Lock) - Brush Terminal to End Plate ...	2	2	2	2
9N-10130-B	1.50	Pulley - Generator (For C Generator) .....	1	1	1	1

# MOTO-TUG PARTS PRICE LIST



# MOTO-TUG PARTS PRICE LIST

Part Number	Price	Part Name	BNO Models Used on & Units			
			25	25S	40	40S
<b>GENERATOR (Cont'd)</b>						
351080-S		Nut - Generator Pulley .....	1	1	1	1
74142-S		Key (Woodruff) - Generator Pulley to Shaft ..	1	1	1	1
9N-10138-C	\$ 3.15	Plate Assy. - Generator Front End .....	1	1	1	1
B-10141	.04	Cup - Generator Oil .....	1	1	1	1
18-10146	.01	Retainer - Wick .....	1	1	1	1
18-10147	.02	Wick - Generator Brush End Plate .....	1	1	1	1
9N-10151-C	.12	Support - Generator .....	1	1	1	1
20305-S7-8		Bolt - Generator Support .....	2	2	2	2
34805-S7		Washer - Generator Support .....	2	2	2	2
9N-10175-C	1.60	Field Coil Assy. - Generator .....	1	1	1	1
81A-10208	.01	Insulator - Terminal Inner .....	1	1	1	1
81A-10211	.01	Screw - Generator Terminal No. 10 - 32 .....	1	1	1	1
34703-S7		Flat Washer - Generator Terminal Screw #10 ..	1	1	1	1
34079-S7		Hex Nut - Generator Terminal Screw .....	2	2	2	2
34803-S7-8		Lock Washer - Generator Terminal Screw #10 ..	1	1	1	1
9N-10505-B	1.85	Cut Out Assy. - Generator .....	1	1	1	1
20306-S7		Hex Head Bolt - Cut Out to Dash .....	2	2	2	2
34806-S7-8		Lock Washer .....	2	2	2	2
<b>BATTERY</b>						
9N-10655-A	* 8.75	Battery Assy. - 13 Plate .....	1	1	1	1
81A-10720	.07	Plug (Filler) - Battery .....	3	3	3	3
9N-10721	.30	Cover .....	1	1	1	1
9N-10722	.08	Bar .....	1	1	1	1
01A-10726	.08	Insulator - Battery Hold Down Strap .....	1	1	1	1
9N-10728-B	.40	Bar - Battery Clamp Hold Down .....	2	2	2	2
33798-S7-8		5/16 - 24 Hex Nut - Battery Hold Down Clamp & Tool Box Clamp .....	4	4	4	4
34746-S7-8		Flat Washer - Battery Hold Down Clamp .....	2	2	2	2
34806-S7-8		5/16 Lock Washer - Battery Hold Down Clamp & Tool Box Clamp .....	4	4	4	4
9N-10732	.70	Battery Support and Bracket Assy. .....	1	1	1	1
355596-S		7/16 - 20 x .68 Carriage Bolt - Battery Support to Air Cleaner .....	2	2	2	2
350477-S2		5/16 - 24 Special Carriage Bolt - Battery Support to Tool Box .....	2	2	2	2
20346-S7-8		5/16 - 18 x .75 Hex Head Bolt - Battery Bracket to Upper Steering Housing .....	2	2	2	2
9N-10737	.75	Plate - Battery Cover .....	1	1	1	1
<b>AMMETER</b>						
9N-10850-B	2.45	Ammeter Assy. ....	1	1	1	1
350860-S7-8		Nut (Hex Brass) - Ammeter to Dash, No. 10 ...	2	2	2	2
34803-S7-8		Lock Washer - Ammeter to Dash .....	2	2	2	2
<b>STARTER AND DRIVE</b>						
9N-11001	14.25	Starter and Drive Assy. ....	1	1	1	1
52-11002	10.00	Starter Assy. (Only) .....	1	1	1	1
18-10142	.05	Band - Starter Cover .....	1	1	1	1
27161-S7-8		Screw (Round Head Machine) - Starter Cover Band .....	1	1	1	1
34141-S7-8		Nut (Square) - Starter Cover Band Screw No. 10-32 .....	1	1	1	1
52-11005	3.65	Armature Assy. - Starter .....	1	1	1	1
18-11036	.01	Washer (Thrust) - Starter Armature .....	2	2	2	2
18-11049	.75	End Plate Assy. - Starter Brush .....	1	1	1	1
18-11056	.15	Brush Assy. - Starter (Grounded) .....	2	2	2	2
*Not subject to regular discount						

# MOTO-TUG PARTS PRICE LIST

Part Number	Price	Part Name	BNO Models Used on & Units			
			25	25S	40	40S
<b>STARTER AND DRIVE (Cont'd)</b>						
25231-S7-8		Screw (Fillister Head Machine) - Starter				
		Brush Assy. to Frame .....	2	2	2	2
B-11059	\$ .03	Spring - Starter Brush .....	4	4	4	4
18-11083	.65	Field Coil - Starter L. H. ....	1	1	1	1
18-11085	.65	Field Coil - Starter R. H. ....	1	1	1	1
18-11091	.03	Bolt (Through) Starter .....	2	2	2	2
34906-S2		Washer (Internal Tooth) Starter through Bolt.	2	2	2	2
18-11094	.01	Washer - Starter Field Terminal .....	3	3	3	3
18-11102	.05	Terminal - Starter Field .....	1	1	1	1
34806-S7-8		Lock Washer - Starter Field Terminal Post ...	1	1	1	1
33923-S7-8		Nut (Hex) - Starter Field Terminal Check Nut.	1	1	1	1
33879-S7-8		Nut (Hex) - Starter Field Terminal Post .....	1	1	1	1
18-11107	.03	Bushing - Starter Terminal .....	1	1	1	1
52-11130	.85	Plate Assy. - Starter (Rear End) .....	1	1	1	1
82A-11140-B	.02	Bracket - Starter to Oil Pan .....	1	1	1	1
52-11350-C	3.50	Drive Assy. - Starter .....	1	1	1	1
52-11365-B	.02	Pin - Pinion .....	1	1	1	1
52-11366-B	2.55	Shaft - Drive Screw .....	1	1	1	1
52-11367	1.90	Pinion and Barrel Drive .....	1	1	1	1
52-11368	.20	Spring - Mashing .....	1	1	1	1
52-11369	.12	Spring - Anti Drift .....	1	1	1	1
52-11370	.03	Ring - Pinion and Barrel Retainer .....	1	1	1	1
52-11372	.25	Plate - Anchor Spring .....	1	1	1	1
52-11373	.05	Ring (Lock) - Spring .....	1	1	1	1
52-11375	.60	Spring - Starter Drive .....	1	1	1	1
9N-11450-B	1.69	Switch - Starter Assy. (Foot Control) .....	1	1	1	1
20310-S7-8		Bolt (Hex Head) - Starter Button - Housing ..	2	2	2	2
33798-S7-8		Nut (Hex) - Starter Switch Assy. - Switch				
		Terminals & Bolts thru Housing .....	4	4	4	4
34806-S7-8		Lock Washer - Starter Switch Assy. ....	4	4	4	4
9N-11467	.02	Gasket - Starting Switch .....	1	1	1	1
9N-11506	.99	Starter Button Assy. ....	1	1	1	1
B-12410	.01	Gasket .....	1	1	1	1
9N-11511	.05	Rod - Starter Push Lever .....	1	1	1	1
9N-11512	.25	Rod - Starter Push .....	1	1	1	1
72009-S		Pin-(Cotter) Starter Button to Starter Switch				
		Push Rod .....	1	1	1	1
9N-11515	.40	Lever - Starter Push .....	1	1	1	1
9N-11652	1.28	Switch Assy. - Lighting With Connector Wires.	1	1	1	1
9N-11653-B	2.54	Wiring Assy. - Lighting - Less Switch .....	1	1	1	1
B-12213	.01	Washer - Frame .....	1	1	1	1
<b>DISTRIBUTOR AND COIL</b>						
9N-12000	16.25	Distributor and Coil Assy. ....	1	1	1	1
20376-S7-8		Bolt (Hex Head) Distributor to Engine Front				
		Cover .....	2	2	2	2
34806-S7-8		Lock Washer .....	2	2	2	2
9N-12024	4.00	Ignition Coil Assy. ....	1	1	1	1
350830-S7-8		Nut, Ignition primary post .....	1	1	1	1
9N-12100	12.25	Distributor Assy. Less Coil .....	1	1	1	1
9N-12106	2.30	Housing Assy. - Distributor Terminal .....	1	1	1	1
9N-12112	1.25	Conduit - Spark Plug Wires .....	1	1	1	1
9N-12113	.05	Grommet (Seal) - Spark Plug Wire .....	4	4	4	4
91A-12114	.03	Gasket - Distributor Terminal Housing .....	1	1	1	1
9N-12137	.03	Bail - Distributor Coil .....	1	1	1	1
9N-12139	2.25	Distributor Base and Clamp Assy. ....	1	1	1	1
91A-12140	.08	Gasket - Distributor Coil .....	1	1	1	1
9N-12143	.02	Gasket - Distributor Base .....	1	1	1	1
9N-12144	.02	Clamp - Distributor Terminal Housing .....	2	2	2	2
B-12145	.02	Rivet - Distributor Cap Clamp .....	2	2	2	2
91A-12146	.03	Spring - Distributor Base .....	1	1	1	1



# MOTO-TUG PARTS PRICE LIST

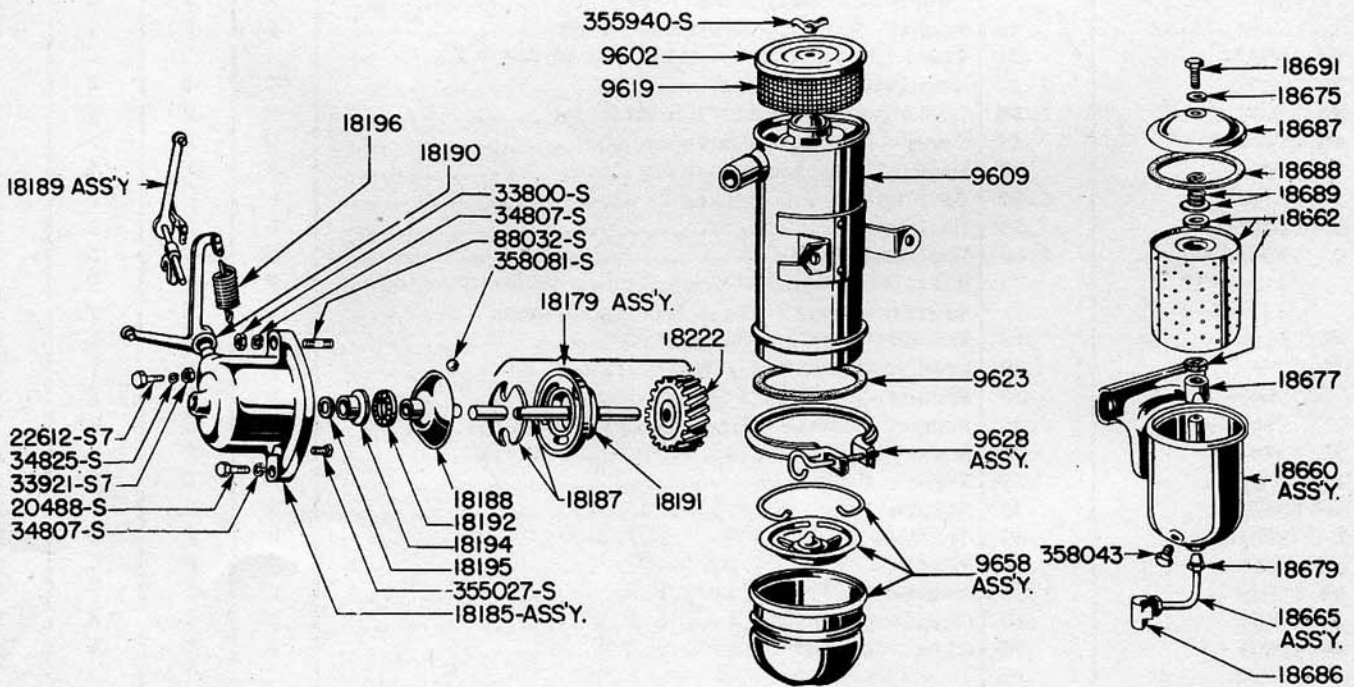
Part Number	Price	Part Name	BNO Models Used on & Units			
			25	25S	40	40S
DISTRIBUTOR AND COIL (Cont'd)						
9N-12147	\$ .15	Dist. Vent Cap Assy. ....	2	2	2	2
48-12148	.02	Screw - Distributor to Front Cover .....	2	2	2	2
9N-12150	3.20	Breaker Assy. - Distributor .....	1	1	1	1
351260-S		Washer - Distributor Breaker Plate Assy. ....	3	3	3	3
34938-S7-8		#8 Washer - Distributor Breaker Plate Assy. .	3	3	3	3
9N-12151	2.00	Distributor Breaker Plate Assy. ....	1	1	1	1
91A-12159	.02	Screw (Primary) Contact Distributor .....	1	1	1	1
351192-S		.142 x 1/4 Washer - Distributor Primary Bracket .....	1	1	1	1
9N-12162	.61	Arm Distributor Breaker .....	1	1	1	1
352201-S		Cotter Pin .....	1	1	1	1
351260-S		Washer .....	1	1	1	1
91A-12174	.02	Washer - Dist. Breaker Plate Screw .....	1	1	1	1
34803-S7-8		Washer (Lock) - Distributor Breaker Plate Bolt .....	1	1	1	1
350101-S7-8		Bolt - Dist. Breaker Plate .....	1	1	1	1
9N-12187	3.60	Shaft Cam and Weights Assy. - Distributor ...	1	1	1	1
91A-12200	.55	Rotor Assy. - Distributor .....	1	1	1	1
68-12219	.30	Bracket Assy. - Dist Contact .....	1	1	1	1
31036-S7-8		#6-32 x 5/16 Screw - Distr. Contact Brckt. ..	1	1	1	1
34801-S7-8		#6 Washer - Distr. Contact Bracket .....	1	1	1	1
68-12230	.03	Dist. Bracket Lock Screw .....	2	2	2	2
9N-12250-B	.49	Resistor .....	1	1	1	1
25881-S		#8-32 x 5/8 Screw-Resistor Terminal .....	3	3	3	3
34052-S7-8		#8-32 Hex Nut - Resistor Terminal .....	3	3	3	3
34822-S7-8		#8 Lock Washer - Resistor Terminal .....	3	3	3	3
24634-S7-8		5/16 - 18 x .50 Screw - Resistor to Dash ....	2	2	2	2
9N-12281-E	4.00	Conduit and Wiring Assy. ....	1	1	1	1
9N-12283	.20	Wire (Cylinder #3) - Dist. to Spark Plug ....	1	1	1	1
9N-12284	.20	Wire (Cylinder #2) - Dist. to Spark Plug ....	1	1	1	1
9N-12286	.25	Wire (Cylinder #4) - Dist. to Spark Plug ....	1	1	1	1
9N-12287	.20	Wire (Cylinder #1) - Dist. to Spark Plug ....	1	1	1	1
91A-12300	.35	Condenser Assy. ....	1	1	1	1
31032-S7		Screw - Condenser to Dist. Body .....	1	1	1	1
34802-S7-8		Washer (Lock) - Condenser to Dist. Body Screw	1	1	1	1
9N-12405	* .70	Spark Plug Assy. ....	4	4	4	4
52-12410	.01	Gasket - Spark Plug .....	4	4	4	4
HORN						
BNO-11500	1.40	Horn Button Assembly .....	1	1	1	1
BNO-13802	5.25	Horn & Bracket Assembly .....	1	1	1	1
20387-S7-8		5/16 - 24 x 1.0 Hex Head Bolt - Horn to Frame	2	2	2	2
33784-S7-8		5/16 - 24 Hex Nut - Horn to Frame .....	2	2	2	2
34806-S7-8		5/16 Lock Washer - Horn to Frame .....	2	2	2	2
WIRING						
9N-14300-C	1.26	Cable Assy. - Battery to Switch .....	1	1	1	1
23017-S16		Bolt (Hex Head) - Battery Connection .....	2	2	2	2
33797-S16		Nut (Hex) Battery Connection .....	2	2	2	2
9N-14301	.60	Connector Assy. - Battery to Ground .....	1	1	1	1
23017-S16		Bolt (Hex Head) - Battery Connection .....	1	1	1	1
33797-S16		Nut (Hex) Battery Connection .....	1	1	1	1
9N-14377	.10	Connector Assy. ....	1	1	1	1
9N-14401	1.47	Conduit and Wiring Assy. - Distributor to Spark Plug .....	1	1	1	1
9N-14431-B	.63	Cable Assy. - Starter Switch to Starter .....	1	1	1	1
51-14550	.10	Switch to Starter Cable Support Assy. ....	1	1	1	1
9N-14564	.07	Bracket - Spark Plug Wire .....	1	1	1	1
*Not subject to regular discount						

# MOTO-TUG PARTS PRICE LIST

Part Number	Price	Part Name	BNO Models Used on & Units			
			25	25S	40	40S
<b>WIRING (Cont'd)</b>						
9N-2279	\$ .05	Clip, Wiring, Right Side Ignition Switch ....	1	1	1	1
9N-17667	.10	Clip - Wiring .....	1	1	1	1
9N-17668	.06	Clip - Wiring .....	3	3	3	3
<b>HOOD ASSEMBLY</b>						
9N-16612-C	*22.30	Top Assy. - Hood (Painted) .....	1	1	1	1
350472-S7-8		Bolt (Special Carriage) - Instrument Panel to Hood Top .....	4	4	4	4
33798-S7-8		Nut - (Hex) - Instrument Panel to Hood Top Bolt .....	4	4	4	4
34806-S7-8		Washer - Lock - Instrument Panel to Hood Top Bolt .....	4	4	4	4
9N-16618	1.90	Panel Assy. (Side) - Hood R.H. ....	1	1	1	1
9N-16619	1.90	Panel Assy. (Side) - Hood L.H. ....	1	1	1	1
20310-S7-8		Bolt (Hex Head) - Side Panel to Support Bracket .....	4	4	4	4
34806-S7-8		Lock Washer - Side Panel to Support Bracket .	4	4	4	4
20311-S7-8		Bolt (Hex Head) - Hood to Side Panel (Top) ..	4	4	4	4
33798-S7-8		Nut (Hex) - Hood to Side Panel .....	4	4	4	4
34806-S7-8		Lock Washer - Hood to Side Panel (Top) .....	4	4	4	4
33797-S7-8		Nut (Hex) - Side Panel to Support Bracket Bolt .....	4	4	4	4
34806-S7-8		Lock Washer - Side Panel to Support Bracket Bolt .....	2	2	2	2
9N-16625	.66	Stud and Handle - Hood Top Battery .....	1	1	1	1
33795-S7-8		Nut (Hex) - Hood Top Battery Cover Handle Stud .....	1	1	1	1
34805-S7-8		Washer (Lock) - Hood Top Battery Cover Handle Stud .....	1	1	1	1
9N-16651	.12	Retainer - Hood Top Battery Cover Hinge .....	1	1	1	1
63345-S7		Rivet (Oval Head) - Hood Top Battery Cover Hinge Retainer to Hinge .....	2	2	2	2
9N-16656	.30	Tongue - Hood Top Battery Cover .....	1	1	1	1
9N-16689	.30	Hinge - Hood Top Battery Cover .....	1	1	1	1
60894-S7		Rivet (Oval Head) - Hood Top Battery Cover to Hinge .....	4	4	4	4
9N-16938-C	1.30	Cover Assy. - Hood Top Battery .....	1	1	1	1
9N-16942-C	.45	Cover - Hood Top Battery .....	1	1	1	1
9N-16948-B	.08	Spring - Battery Opening Cover .....	4	4	4	4
9N-17004	4.60	Tool Kit .....	1	1	1	1
B-17005-A	.20	Tool Bag .....	1	1	1	1
9N-17005-B	2.60	Tool Box Assy. ....	1	1	1	1
21440-S7-8		Bolt (Hex Head) - Tool Box to Upper Housing .	2	2	2	2
351436-S7-8		Washer (Lock) - Tool Box to Housing .....	2	2	2	2
9N-17014	.75	Wrench (Open End - Hex) .....	1	1	1	1
01A-17015	.20	Wrench (Open End - Hex) .....	1	1	1	1
01A-17016	.20	Wrench (Open End - Hex) .....	1	1	1	1
01A-17017-B	.45	Wrench - Spark Plug and Cylinder Head Nut ...	1	1	1	1
B-17020	.20	Screw Driver .....	1	1	1	1
01A-17021	.55	Wrench - Monkey .....	1	1	1	1
B-17025-A	.30	Pliers Assy. ....	1	1	1	1
BNO-17040	.65	Crank - Starting .....	1	1	1	1
9N-17081	.50	Handle - Jack .....	1	1	1	1
9N-17125-B	1.10	Grease Gun .....	1	1	1	1
9N-17667	.10	Clip - Wiring .....	1	1	1	1
9N-17668	.06	Clip - Wiring .....	3	3	3	3
*Not subject to regular discount						

# MOTO-TUG PARTS PRICE LIST

Part Number	Price	Part Name	BNO Models Used on & Units			
			25	25S	40	40S
<b>GOVERNOR</b>						
9N-18200-B	\$ 16.25	Governor Assy. ....	1	1	1	1
20488-S7-8		Bolt (Hex Head) - Governor to Side Cover ....	1	1	1	1
88032-S		Stud (Screw) - Governor to Side Cover ....	1	1	1	1
33800-S7-8		Nut (Hex) - Governor to Side Cover ....	1	1	1	1
34807-S7-8		Lock Washer - Governor to Side Cover ....	2	2	2	2
9N-18179	7.10	Base Assy. - Governor ....	1	1	1	1
9N-18185	4.25	Body Assy. - Governor ....	1	1	1	1
9N-18186	2.49	Lower Race Assy. - Governor ....	1	1	1	1
9N-18187	2.95	Drive Shaft Assy. - Governor ....	1	1	1	1
9N-18188	.66	Upper Race Assy. - Governor ....	1	1	1	1
9N-18189	1.74	Lever Assy. - Governor ....	1	1	1	1
9N-18190	1.10	Manual Lever Assy. - Governor ....	1	1	1	1
22612-S7-8		Screw - Adjusting ....	1	1	1	1
33921-S7-8		Nut - Adjusting Screw ....	1	1	1	1
34805-S7-8		Washer (Lock) - Adjusting Screw ....	1	1	1	1
9N-18191	1.00	Base - Governor ....	1	1	1	1
9N-18192	.30	Bearing - (Thrust) - Governor Base ....	1	1	1	1
9N-18194	.45	Base (Ford) - Governor ....	1	1	1	1
9N-18195	.02	Clip - Governor Shaft ....	1	1	1	1
9N-18196	.20	Spring - Governor Base ....	1	1	1	1
9N-18215-C	1.00	Pipe - Air Cleaner to Carburetor ....	1	1	1	1
9N-18222	2.30	Gear - Governor Drive ....	1	1	1	1
9N-18241	.01	Shim - Ball Stop ....		As Required		
355027-S7		Screw - Governor Body ....	2	2	2	2
356430-S		Washer - Ball Stop ....	1	1	1	1
358081-S		Ball - Governor Base ....	4	4	4	4
356490-S		Spacer, Governor Drive Shaft ....	1	1	1	1
357408-S		Pin, Governing Lever Link ....	1	1	1	1
357409-S		Pin, Manual Lever Link ....	1	1	1	1



# MOTO-TUG PARTS PRICE LIST

Part Number	Price	Part Name	BNO Models Used on & Units			
			25	25S	40	40S
<b>OIL FILTER</b>						
9N-18660	\$ 3.00	Oil Filter Assy. ....	1	1	1	1
358042-S-7-8		Plug - Oil Filter .....	1	1	1	1
20348-S7-8		Bolt (Hex Head) - Oil Filter to Upper Housing.	2	2	2	2
34807-S7-8		Lock Washer - Oil Filter .....	2	2	2	2
9N-18662	1.00	Element - Oil Filter .....	1	1	1	1
9N-18666	.20	Tube - Oil Filter Outlet .....	1	1	1	1
9N-18667	.22	Tube - Oil Filter Inlet .....	1	1	1	1
91A-2133	.03	Nut - Oil Filter Inlet Tube .....	4	4	4	4
9N-18668	.20	Elbow - Filter and Gauge to Block .....	1	1	1	1
01A-18675	.03	Washer - Cover Hold Down Bolt .....	1	1	1	1
9N-18676	.33	Tube - Oil Pressure Gauge .....	1	1	1	1
9N-18677	.20	Oil Filter Cartridge Spacer .....	2	2	2	2
9N-18678	.03	Nut - Oil Gauge Tube .....	2	2	2	2
9N-18679	.06	Adapter - Oil Filter Tube .....	3	3	3	3
9N-18685	.07	Adapter - Oil Gauge Tube .....	1	1	1	1
9N-18686	.10	Elbow - Oil Filter .....	1	1	1	1
9N-18687	1.20	Cover - Oil Filter .....	1	1	1	1
9N-18688	.11	Gasket - Oil Filter Cover .....	1	1	1	1
01A-18689	.20	Gasket - Element .....	1	1	1	1
01A-18691-A	.30	Bolt - Oil Filter Cover .....	1	1	1	1
<b>LIGHTING KIT</b>						
9N-11652	1.28	Switch Assy. - Lighting with Connector Wires Assy. ....	1	1	1	1
351001-S13		Hex Nut .....				
9N-11653-B	2.54	Wiring - Lighting Assy. (Less Switch) .....	1	1	1	1
9N-13002	4.96	Head Lamp Assy. R.H. ....	1	1	1	1
9N-13003	4.96	Head Lamp Assy. L.H. ....	1	1	1	1
356083-S7-8		Nut(Hex) - Head Lamp Assy. ....	2	2	2	2
34809-S7-8		Washer (Lock) - Head-Lamp Assy. ....	2	2	2	2
9N-13007	.27	Bulb (32 C.P. 6-8 Volt) - Head Lamp .....	2	2	2	2
9N-13028	1.10	Headlamp Reflector .....	2	2	2	2
9N-13031	.04	Spring - Headlamp Reflector .....	2	2	2	2
9N-13045	.94	Door - Head Lamp Assy. ....	2	2	2	2
9N-13060	.88	Lens - Head Lamp .....	2	2	2	2
9N-13061	.05	Spring - Head Lamp Lens Assy. ....				
BNO-13088	1.75	Bracket - Tail Lamp .....	1	1	1	1
20387-S7-8		Hex Head Bolt .....	2	2	2	2
33798-S7-8		5/16 - 24 Hex Nut .....	2	2	2	2
34806-S7-8		5/16 Lock Washer .....	2	2	2	2
9N-13102	.30	Reinforcement - Medallion .....	2	2	2	2
9N-13404	2.50	Lamp and Bracket Assy. - Rear .....	1	1	1	1
33792-S7-8-18		Nut(Hex) - Tail Lamp Bracket .....	1	1	1	1
34808-S4		Washer (Lock) - Tail Lamp Bracket .....	1	1	1	1
9N-13445	.25	Lens (White) Tail Lamp License Plate .....	1	1	1	1
9N-13448	.44	Door - Rear Lamp .....	1	1	1	1
9N-13450	.44	Lens (Ped) - Rear Lamp .....	1	1	1	1
B-13466	.07	Bulb (6 Volt 3 C.P.) - Indicator Lamp .....	1	1	1	1
9N-13468	.60	Bracket - Tail Lamp Support .....	1	1	1	1
9N-13470	.35	Bracket - Fender Lamp R.H. ....	1	1	1	1
9N-13471	.35	Bracket - Fender Lamp L.H. ....	1	1	1	1
9N-13472	.65	Bracket - Lamp Mounting R.H. ....	1	1	1	1
9N-13473	.65	Bracket - Lamp Mounting L.H. ....	1	1	1	1
9N-14487	.02	Connector - Assy. - Wire .....	4	4	4	4
BNO-18400	18.20	Lighting Kit .....	1	1	1	1

# STANDARD PARTS

Part No.	Price	Part Name	Part No.	Price	Part Name
20305-S7-8	\$ .01	1/4-28 x 7/16	21606-S7-8	.20	3/8-24 x 4.5
	.60-C	Hex Head Bolt			Hex Head Bolt
20306-S7	.02	5/16-18 x 7/16	22076-S7-8	.22	5/8-18 x 4.5
	1.35-C	Hex Head Bolt			Hex Head Bolt
20310-S7-8	.01	5/16-18 x 1/2	22228-S7-8	.05	5/16-24 x 1.25
	.80-C	Hex Head Bolt		4.00-C	Hex Head Bolt
20311-S7-8	.01	5/16-24 x 1/2	22503-S	.04	1/4-20 x 5/8
	.80-C	Hex Head Bolt		3.50-C	Hex Head Bolt
20318-S7-8	.01	5/16-18 x 9/16	22612-S7-8	.08	1/4-28 x 3/4
	.75-C	Hex Head Bolt		4.00-C	Hex Head Bolt
20325-S7-8	.02	1/4-28 x 5/8	23017-S16	.02	5/16-18 x 1-1/4
	1.10-C	Hex Head Bolt		1.25-C	Sq. Head Bolt
20339-S7-8	.02	3/8-24 x .86	23378-S7-8	.02	5/16-18 x .75
	1.50-C	Hex Head Bolt		1.50-C	Carriage Bolt
20346-S7-8	.01	5/16-18 x 3/4	23423-S7-8	.01	5/16-18 x 1.12
	.90-C	Hex Head Bolt		.70-C	Carriage Bolt
20348-S		3/8-16 x 3/4	23438-S7-8	.02	5/16-18 x 1.25
	1.25-C	Hex Head Bolt		1.38-C	Carriage Bolt
20356-S7	.01	5/16-18 x 13/16	24624-S7-8	.02	#12-24 x 7/16
	.75-C	Hex Head Bolt		1.75-C	Flat Head Screw
20366-S2	.01	5/16-18 x 7/8	25231-S7-8	.01	#10-32 x 1/2
	.85-C	Hex Head Bolt		.60-C	Flat Head Screw
20376-S7-8	.10	5/16-18 x 15/16	25249-S7-8	.06	1/4-28 x .62
		Hex Head Bolt			Flat Head Bolt
20386-S7-8	.01	5/16-18 x 1.0	25305-S7-8		1/4-28 x 1.12
	.90-C	Cap Screw			Flat Head Screw
20387-S7-8	.04	5/16-24 x 1.0	25620-S7-8		5/16-24 x 7/8
	3.00-C	Hex Head Bolt			Hex Head Bolt
20388-S7-8	.02	3/8-16 x 1.0	25881-S	.01	#8-32 x 5/8
	1.35-C	Hex Head Bolt		.45-C	Screw
20453-S7-8	.05	1/2 - 20 x 1-3/8	26456-S7-8	.01	#6-32 x 1/4
	4.90-C	Hex Head Bolt		.40-C	Round Head Screw
20473-S7-8	.05	1/2-20 x 1.5	27058-S7-8	.01	#10-32 x 1/4
	5.00-C	Hex Head Bolt			Round Head Screw
20488-S7-8	.02	3/8-16 x 1-5/8	27083-S7-8	.02	1/4-28 x .50
	1.50-C	Hex Head Bolt		1.75-C	Round Head Bolt
20493-S7-8	.08	1/2-20 x 1-5/8	27153-S7-8	.01	#10-32 x 1-1/8
		Hex Head Bolt		.55-C	Round Head Screw
20505-S7-8	.02	5/16-24 x 1.75	27161-S7-8	.01	#10-32 x 1-1/4
	2.00-C	Hex Head Bolt		.65-C	Round Head Screw
20672-S7-8	.04	9/16-12 x 1.25	31027-S7-8	.01	#8-32 x 3/16
	3.10-C	Hex Head Bolt		.35-C	Fillister Head
20880-S7-8	.04	7/16-20 x 1.38			Screw
	3.00-C	Hex Head Bolt	31032-S7	.01	#8-32 x 1/4
20887-S7	.05	7/16-20 x 3.0		.35-C	Fillister Head
	4.00-C	Hex Head Bolt			Screw
21056-S7-8	.10	5/8-18 x 1-7/8	31036-S7-8	.01	#6-32 x 5/16
	10.00-C	Hex Head Bolt		.25-C	Fillister Head
21191-S7-8	.20	5/8-18 x 1.63			Screw
	18.25-C	Hex Head Bolt	31061-S7-8	.01	#8-32 x 1/2
21440-S7-8	.03	7/16-14 x .75		.40-C	Fillister Head
	2.30-C	Hex Head Bolt			Screw
21441-S7-8	.03	7/16-14 x 1.12	31588-S7-8	.01	#10-32 x 5/16
	2.65-C	Hex Head Bolt		.60-C	#Fillister Head
21443-S7-8	.03	7/16-14 x .94			Screw
	2.60-C	Hex Head Bolt	31660-S7-8	.01	#10-32 x 7/8
21445-S7-8	.04	7/16-14 x 1.62		.70-C	Fillister Head
	3.00-C	Hex Head Bolt			Screw
21447-S7-8	.05	7/16-14 x 1.5	33784-S7-8	.02	7/16 - 24 Hex Nut
		Hex Head Bolt		1.10-C	
21477-S7-8	.02	5/16-18 x 1.62	33790-S7-8	.02	7/16-20 Hex Check
	1.00-C	Hex Head Bolt		1.20-C	Nut

# STANDARD PARTS

Part No.	Price	Part Name	Part No.	Price	Part Name
33792-S7-8	\$ .03	7/16-20	34822-S7-8	\$ .01	#8 Lock Washer
	2.65-C	Hex Nut		.15-C	
33795-S7-8	.01	1/4 - 20	34902-S7-8	.01	#8 Internal Tooth
	.35-C	Hex Nut		.30-C	Washer
33796-S7-8	.01	1/4 - 28	34904-S7-8	.01	#12 Internal Tooth
	.35-C	Hex Nut		.30-C	Washer
33797-S7-8	.01	5/16-18	34906-S2	.01	5/16 Internal Tooth
	.65-C	Hex Nut		.25-C	Washer
33798-S7-8	.01	5/16-24	34938-S7-8	.01	#8 External Tooth
	.65-C	Hex Nut		.20-C	Washer
33800-S7-8	.01	3/8 - 24	34939-S7-8	.01	#10 External Tooth
	.90-C	Hex Nut		.25-C	Washer
33806-S7-8	.05	5/8 - 18	60006-S	.01	Flat Head Rivet
	4.50-C	Hex Nut		.10-C	
33816-S	.03	5/16 - 20	60894-S7	.01	Oval Head Rivet
	3.15-C	Hex Nut		.15-C	
33845-S7-8	.03	1/2 - 13	63345-S7	.01	Oval Head Rivet
	2.75-C	Hex Nut		.60-C	
33846-S7-8	.02	1/2 - 20	72003-S7-8	.03-X	1/16 x 1/2
	1.45-C	Hex Nut		.10-C	Cotter Pin
33850-S7-8	.06	5/8 - 18 Hex Nut	72004-S	.02-X	3/32 x 1/2
33879-S7-8	.01	5/16-24 Hex Nut		.10-C	Cotter Pin
33921-S7-8	.01	1/4 - 28	72009-S	.02-X	3/32 x 5/8
	.60-C	Check Nut		.10-C	Cotter Pin
33923-S7-8	.01	5/16 - 24	72010-S7-8	.03-X	1/8 x 5/8
	.60-C	Check Nut		.10-C	Cotter Pin
34016-S7-8	.02	5/16 - 24	72015-S7-8	.01-X	1/16 x 3/4
	1.00-C	Slotted Hex Nut		.15-C	Cotter Pin
34029-S7-8	.02	5/16 - 24	72026-S7-8	.03-X	1/8 x 7/8
	1.50-C	Castle Nut		.10-C	Cotter Pin
34052-S7-8	.01	#8-32 Hex Nut	72034-S	.03-X	3/32 x 1.0
	.20-C			.10-C	Cotter Pin
34079-S7-8	.01	#10-32 Hex Nut	72038-S7-8	.01	7/32 x 1
	.30-C			.45-C	Cotter Pin
34141-S7-8	.01	#10-32 Square Nut	72054-S	.05-X	5/32 x 1 1/4
	.20-C			.20-C	Cotter Pin
34703-S7	.01	#10 Flat Washer	73902-S7-8	.07	3/8 x 1.0
	.15-C				Clevis Pin
34705-S7-8	.01	1/4 Flat Washer	74106-S	.01	5/16 Expansion
	.30-C			.70-C	Plug
34706-S7-8	.01	5/16 Lock Washer	74120-S	.01	1-3/16 Expansion
	.25-C			.70-C	Plug
34746-S7-8	.01	5/16 Flat Washer	74142-S	.01	1/2 x 1/8
	.20-C			.50-C	Woodruff Key
34801-S7-8	.01	#6 Washer	74156-S	.04	1-1/8 x 1/4
	.20-C			3.60-C	Woodruff Key
34802-S7-8	.01	#10 Lock Washer	88024-S7-8	.07	1/2-13-20 x 1/25
	.20-C				Stud
34803-S7-8	.01	#10 Lock Washer	88032-S	.02	3/8-24-16 x 1-3/8
	.15-C			1.80-C	Stud
34804-S	.01	#12 Lock Washer	88146-S	.02	5/16-24-18 x 2
	.15-C			1.70-C	13/16 Stud
34805-S7-8	.01	1/4 Lock Washer	88367-S	.02	5/16-18-24 x
	.20-C			1.00-C	1-3/16 Stud
34806-S7-8	.01	5/16 Lock Washer	88371-S7-8	.02	5/16-24 - 18 x
	.25-C			1.20-C	1-1/4 Stud
34807-S7-8	.01	3/8 Lock Washer	88398-S7-8	.04	7/16-20-14 x 1.68
	.30-C			3.00-C	Stud
34808-S7-8	.01	7/16 Lock Washer	88403-S	.04	5/16-20-14 x 1-5/8
	.50-C			2.85-C	Stud
34809-S7-8	.01	1/2 Lock Washer	88523-S7-8	.03	7/16-20-14 x 3.12
	.55-C			2.50-C	Stud
34810-S7-8	.01	9/16 Lock Washer	97003-S	.20	3/8 x 2-1/8 Std.
	.65-C				Non-adjustable
34811-S7-8	.02	5/8 Lock Washer			Clevis
	1.30-C				

# STANDARD PARTS

Part No.	Price	Part Name	Part No.	Price	Part Name
97013-S	\$ .15	3/8 x 2-1/8 Std. Adjustable Clevis	352201-S	\$ .01	3/64 x .31 Cotter Pin
350101-S7-8	.02 1.25-C	#10-32 x 1/2 Slotted Hex Head Screw	352250-S	.15-C .01	.110 x .68 Cotter Pin
350400-S	.01	5/16 - 24 x .61 Hex Head Bolt	352581-S7-8	.10-C .01	5/16 x 1-1/2 Flat Head Pin
350433-S	.80-C .01	5/16 - 18 x .77 Hex Head Screw	353024-A1-S7-8	.60-C .05	1/8 Lubricator Fitting
350439-S	.80-C .02	5/16-24 x 9/16 Hex Head Bolt	353027-S7-8	.05	1/8 Lubricator Fitting
350472-S7-8	1.40-C .01	5/16 - 24 x 5/8 Carriage Bolt	353043-A1-S7-8	.03	Lubricator Fitting
350477-S2	.70-C .01	5/16 - 24 x 7/8 Spec. Carr. Bolt	353075-S	.04	3/8 Steel Ball
350483-S7-8	.45-C	5/16 - 24 x 1.0 Carriage Bolt	355000-S	3.20-C .05	#4 - 36 x 1/4 Screw
350645-S	.07	7/16 - 20 x .84 Hex Head Bolt	355001-S7-8	4.50-C .07	Machine Screw
350830-S7-8	6.50-C .02	#8 - 32 Nut	355027-S7	.01	#6 - 32 x .28 Flat Head Screw
350860-S7-8	.02	#10-32 Hex Brass Nut	355245-S7-8	.60-C .07	Screw
351001-S13	1.45-C .05	3/8 - 24 Hex Nut	355305-S	.02	5/16-24 x .75 Carriage Bolt
351025-S7-8	.02	7/16 - 20 Hex Nut	355471-S7-8	1.60-C .02	3/8-16 x 1-1/4 Hex Head Bolt
351059-S7-8	1.85-C .03	1/2-20 Castle Nut	355545-S7-8	1.40-C .08	7/16-20 x .68 Carriage Bolt
351080-S	2.50-C .02	.59 - 20 Nut	355596-S	.08	7/16 - 20 Hex Head Bolt
351103-S22	1.85-C .25	5/8 - 18 Spec. Acorn Nut	355669-S7-8	.20	7/16 - 14 x 1.38 Hex Head Bolt
351118-S7-8	.05	11/16 Hex Nut	355693-S7-8	.05	7/16 - 14 x 1.38 Hex Head Bolt
351119-S	4.00-C .04	13/16 - 28 Hex Nut	355940-S7-8	.05	1/4 - 20 Wing Nut
351129-S	3.60-C .08	3/4 - 16 Castle Nut	356083-S7-8	4.50-C .05	1/2 - 20 Hex Nut
351192-S	1.30XX .01	.142 x 1/4 Washer	356181-S	.07	#4 Lock Washer
351260-S	.35-C .45-C	Washer	356211-S7-8	.08	Flat Washer
351428-S7-8	.01	7/16 x 1/8 x 29/32 Washer	356390-S	.01	.55-C Washer
351436-S7-8	.60-C .02	7/16 Lock Washer	356392-S	.03	2.75-C Washer
351505-S7-8	1.30-C .02	5/8 x 5/32 x 1-1/4 Flat Washer	356430-S	.02	.44 x .44 x .68 Washer
351544-S	1.75-C .02	13/16 Lock Washer	356490-S	1.25-C .03	Spacer
351926-S	1.60-C .01 .40-C	5/32 x 3/16 Flat Head Rivet Countersk.	357244-S	2.20-C	Cotter Pin
			357408-S	.05	Pin
			357409-S	.05	Pin
			357724-S7-8	.07	7/16-14-20 x 1.86 Stud
			358042-S7-8	.15	Drain Plug
			358081-S	.20	5/8 Steel Ball

# WARRANTY

Harry Ferguson, Inc., warrants all such parts of new MOTO-TUGS, EXCEPT TIRES, for a period of ninety (90) days from the date of original delivery to the purchaser of each new MOTO-TUG, as shall, under normal use and service, appear to it to have been defective in workmanship or material. This warranty shall be limited to shipment to the purchaser without charge except for transportation, of the part or parts intended to replace those acknowledged by Harry Ferguson, Inc., to be defective. Harry Ferguson, Inc., cannot, however, and does not accept any responsibility in connection with any of its MOTO-TUGS when they have been altered outside of its own factories. If the purchaser shall use or allow to be used in the MOTO-TUG, parts not made or supplied by Harry Ferguson, Inc., then this warranty shall become void. Harry Ferguson, Inc., does not undertake responsibility to any purchaser of its products for any undertaking, representation or warranty made by anyone selling its products beyond those herein expressed.

Harry Ferguson, Inc., reserves the right to make changes in design and changes or improvements upon its products without imposing any obligation upon itself to install the same upon its products theretofore manufactured.

HARRY FERGUSON, INC.



**HARRY FERGUSON, INC.**

**DEARBORN, MICH.**

*Producers of*



**INDUSTRIAL EQUIPMENT**



**FORD TRACTOR WITH FERGUSON SYSTEM**



**FARM MACHINERY**